



Main

Range of product	Magelis GTO
Product or component type	Advanced touchscreen panel
Display colour	65536 colours
Display size	3.5 inch
Supply	External source
Control button type	Pushbutton, key type , marking: F1...F6, number of function keys = 6 (operation defined using Vijeo Designer)
Battery type	Lithium battery for internal RAM, autonomy: 100 days, charging time = 5 d, battery life = 10 yr

Complementary

Terminal type	Touchscreen display
Display type	Backlit colour TFT LCD
Display resolution	320 x 240 pixels QVGA
Touch sensitive zone	1024 x 1024
Touch panel	Resistive film, 1000000 cycles
Backlight lifespan	50000 hours (white) at 25 °C
Brightness	16 levels - control by software 16 levels - control by touch panel
Character font	ASCII (European characters) Chinese (simplified Chinese) Japanese (ANK, Kanji) Korean Taiwanese (traditional Chinese)
[Us] rated supply voltage	24 V DC
Supply voltage limits	19.2...28.8 V
Inrush current	<= 30 A
Power consumption in W	<= 4.3 W (when backlight is dimmed) <= 4.2 W (when backlight is OFF) <= 5.2 W (when power is not supplied to external devices) <= 9.6 W
Local signalling	Status LED (clear)faded power supply (OFF) Status LED (red)steady power supply (ON) Status LED (orange)flashing software starting up Status LED (green)steady operating Status LED (green)steady offline
Software designation	Vijeo Designer configuration software >= V6.1
Memory description	96 MB flash (EPROM)
Data backed up	512 kB internal RAM (SRAM)
Data storage equipment	SDHC card <= 32 GB SD card <= 32 GB
Downloadable protocols	Modbus TCP Schneider Electric Modicon Third party protocols Siemens Simatic Third party protocols Rockwell Automation Allen-Bradley Third party protocols Omron Sysmac Third party protocols Mitsubishi Melsec FIPWAY Schneider Electric Modicon Modbus Plus Schneider Electric Modicon Uni-TE Schneider Electric Modicon Modbus Schneider Electric Modicon

Integrated connection type	Ethernet RJ45, interface: IEEE 802.3 Ethernet RJ45, interface: 10BASE-T/100BASE-TX COM1 serial link RJ45, interface: RS232C/RS485, transmission rate: 187.5 kbps compatible with Siemens MPI COM1 serial link RJ45, interface: RS232C/RS485, transmission rate: 2400...115200 bps USB 2.0 port mini B USB USB 2.0 port USB type A
Product mounting	Flush mounting
Fixing mode	By 4 screw clamps
Front material	PPT
Enclosure material	PPT
Type of cooling	Natural convection
Width	132 mm
Height	106 mm
Depth	42 mm
Product weight	0.4 kg

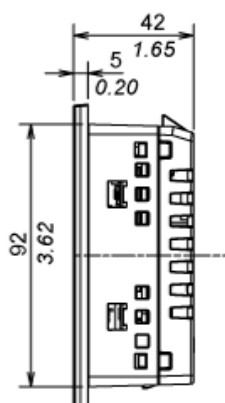
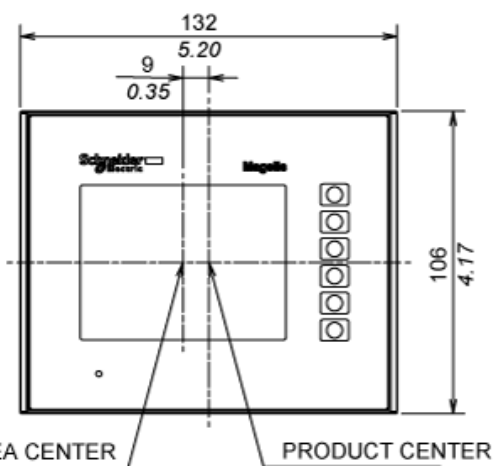
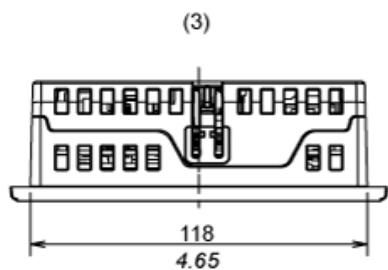
Environment

Standards	EN 61131-2 IEC 61000-6-2 UL 508
Product certifications	CE C-Tick CULus KCC
Ambient air temperature for operation	0...50 °C
Ambient air temperature for storage	-20...60 °C
Relative humidity	10...90 % without condensation
Operating altitude	< 2000 m
IP degree of protection	IP65 front panel conforming to IEC 60529 IP20 rear panel conforming to IEC 60529
NEMA degree of protection	NEMA 4X front panel (indoor use)
Shock resistance	147 m/s ² 3 chocs in each direction X, Y and Z conforming to EN/IEC 61131-2
Vibration resistance	1 gn (f = 9...150 Hz) conforming to EN/IEC 61131-2 X, Y, Z directions for 10 cycles (approx. 100 min) 3.5 mm (f = 5...9 Hz) conforming to EN/IEC 61131-2 X, Y, Z directions for 10 cycles (approx. 100 min)
Resistance to electrostatic discharge	6 kV contact discharge conforming to IEC 61000-4-2 level 3

Dimensions

External Dimensions

$\frac{\text{mm}}{\text{in.}}$



DISPLAY AREA CENTER PRODUCT CENTER

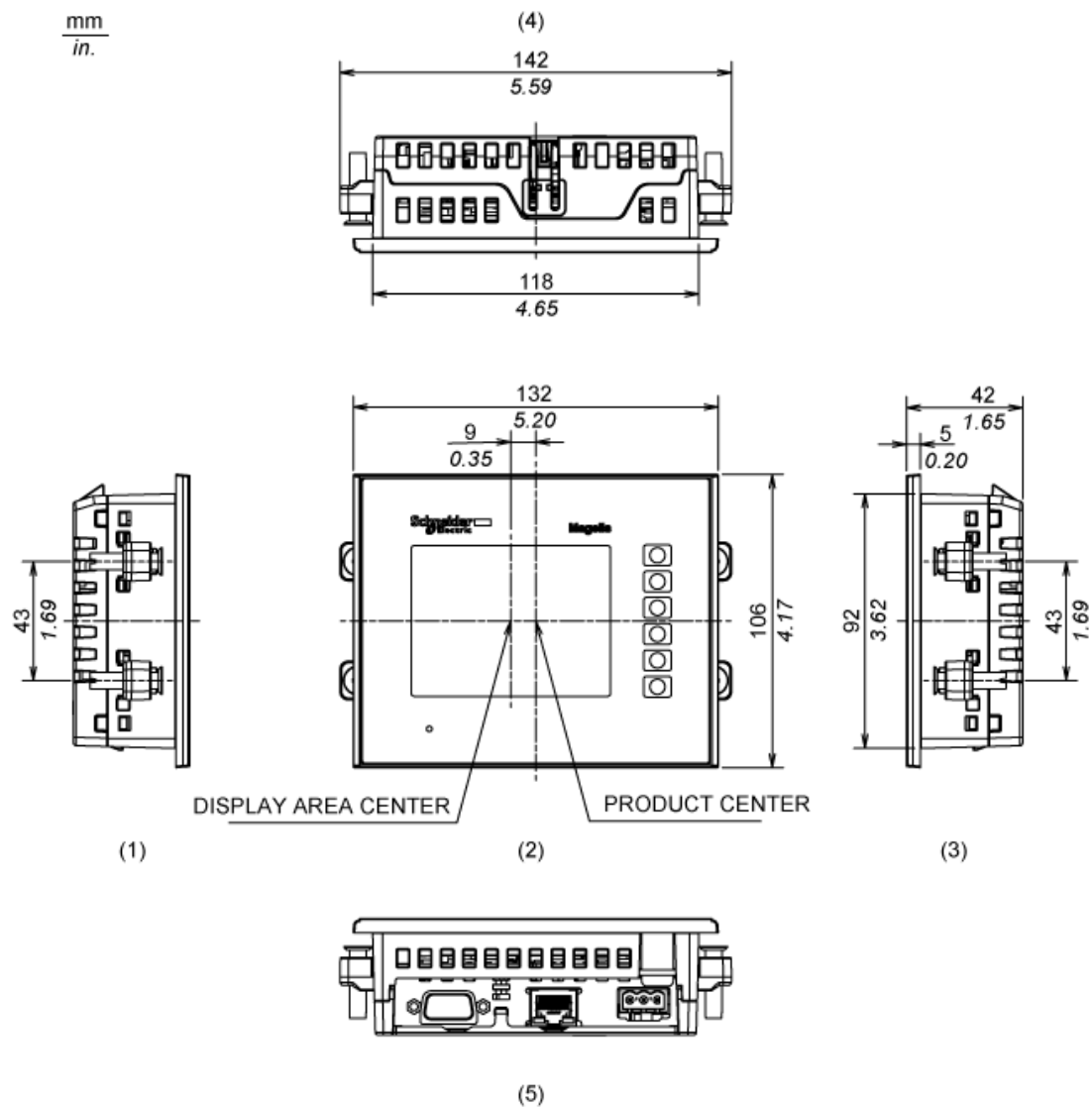
(1)

(2)

- 1 Front
- 2 Right Side
- 3 Top

Installation with Installation Fasteners

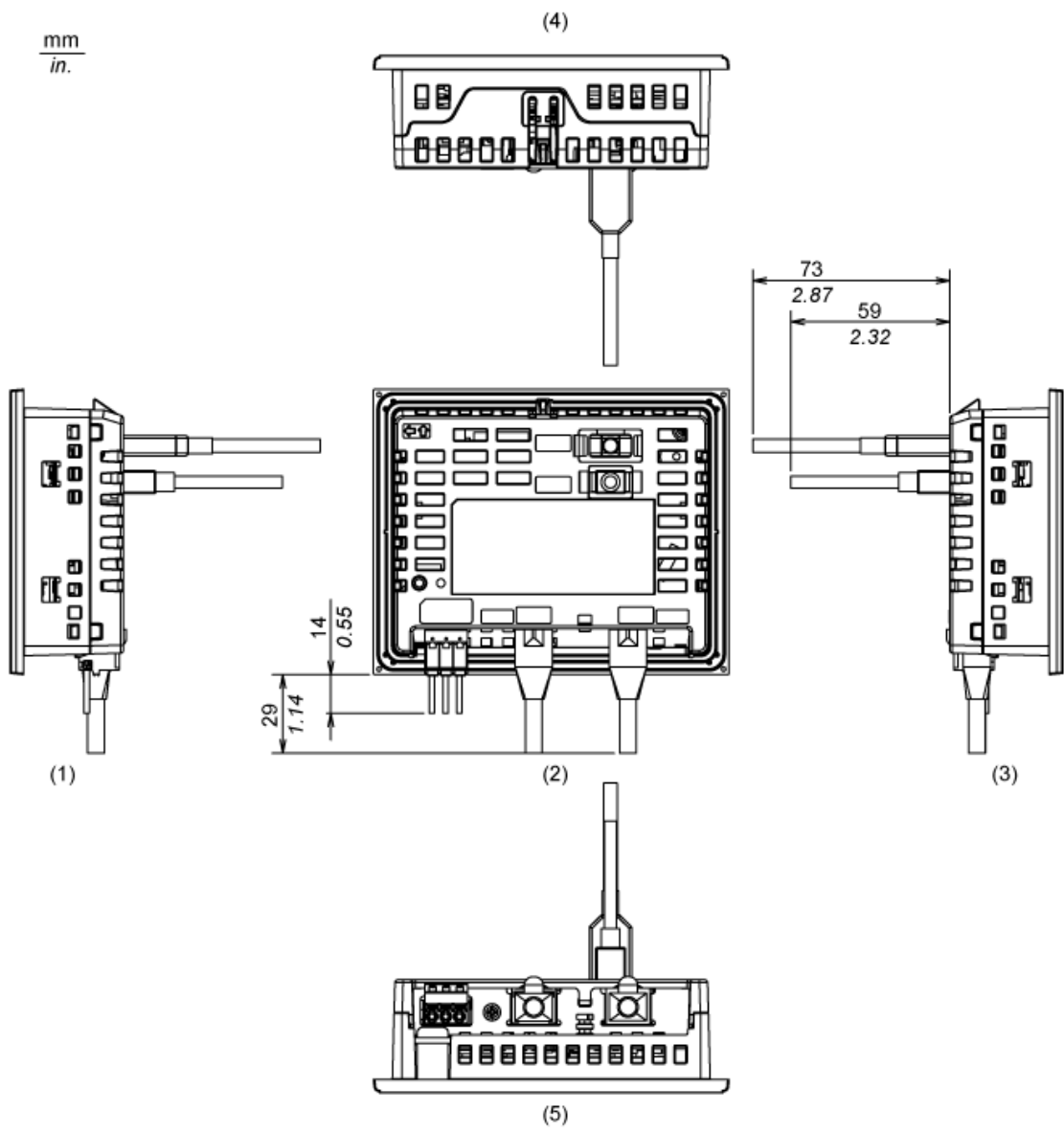
mm
in.



- 1 Left Side
- 2 Front
- 3 Right Side
- 4 Top
- 5 Bottom

Dimensions with Cables

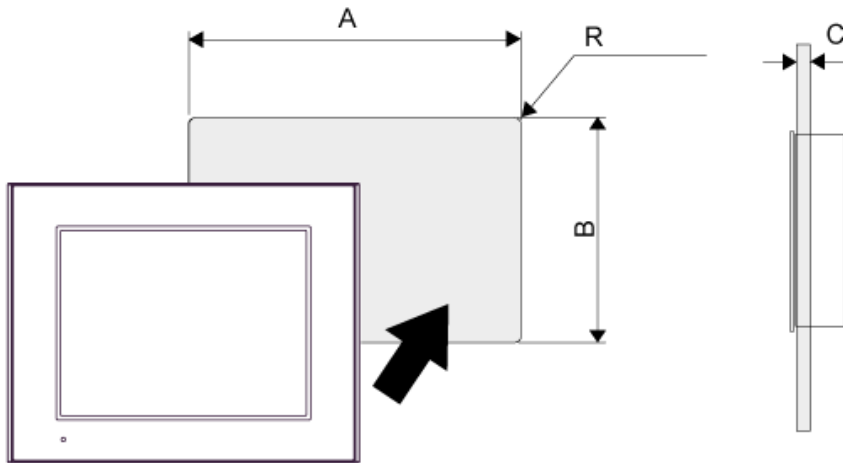
mm
in.



- 1 Left Side
- 2 Rear
- 3 Right Side
- 4 Top
- 5 Bottom

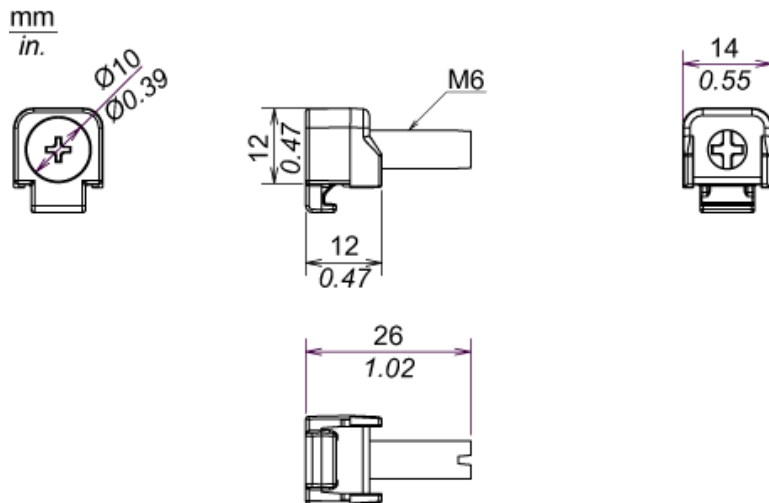
Mounting

Panel Cut Dimensions



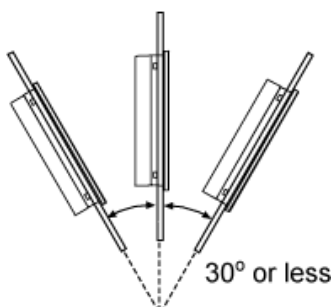
A		B		C		R	
mm	in.	mm	in.	mm	in.	mm	in.
118.5 (+1, -0)	4.67 (+0.04, -0)	92.5 (+1, -0)	3.64 (+0.04, -0)	1.6...5	0.06...0.2	3 max.	0.12 max.

Installation Fastener Dimensions



Installation Requirements

Mounting Angle



When installing the panel in a slanted position with an incline more than 30°, the ambient temperature must not exceed 40 °C (104 °F). You may need to use forced air cooling (fan,A/C) to ensure the ambient operating temperature is 40°C or less (104 °F or less).

Clearance

