

**FOTOCEDURE CILINDRICHE M18
TASTEGGIO DIRETTO
CON LETTURA A 90°**

SERIE OCV81/DA SERIES

***PHOTOELECTRIC SENSORS
DIFFUSE TYPE
WITH RADIAL CYLINDRICAL HOUSING***

FOTOCELLULE CILINDRICHE M18 - TASTEGGIO DIRETTO CON LETTURA A 90°
M18 PHOTOELECTRIC SENSORS - DIFFUSE TYPE
WITH RADIAL CYLINDRICAL HOUSING



FOTOCELLULE STANDARD M18 A TASTEGGIO DIRETTO CON TESTINA A 90°.
VERSIONI A 100, 200, 400 E 600 mm DI PORTATA.
USCITA CAVO O CONNETTORE M12.
CONTENITORE PLASTICO O METALLICO.

STANDARD M18 PHOTOELECTRIC SENSORS
DIFFUSE TYPE WITH RADIAL CYLINDRICAL
HOUSING.
SENSING DISTANCE VERSIONS 100, 200, 400 & 600 mm.
CABLE OUT OR M12 PLUG-IN CONNECTOR.
PLASTIC OR METAL BODY.

COME ORDINARE
HOW TO ORDER

OCV81/ D1A P NO R M C5

Sn (Distanza di rilevamento)
Sn (Sensing distance)

DA = 100 mm
D1A = 200 mm
D2A = 400 mm
D3A = 600 mm

ELETTRONICA
ELECTRONICS

P = PNP (Vcc/Vdc)
N = NPN (Vcc/Vdc)
C3 = Vca / Vac

USCITA
OUTPUT

NO = Normalmente aperta (impulso luce)
Normally open (light on)
NC = Normalmente chiusa (impulso buio)
Normally closed (dark-on)
SC = NO/NC selezionabile (3Fili)
NO/NC programmable (3 Wires)
SC4 = 2 uscite, NO+NC (4 Fili)
2 outputs, NO +NC (4 Wires)

CONNESSIONE
LINK

- = Cavo (2m)
Cable (2m)
Kx = Metraggio cavo a richiesta
Cable length Upon request
C5 = Connettore M12
M12 Connector

MATERIALE CORPO
BODY MATERIAL

- = Plastico
Plastic
M = Metallico
Metal

SENSIBILITA'
SENSITIVITY

- = Fissa
Fixed
R = Regolabile
Adjustment

CARATTERISTICHE ELETTRICHE
ELECTRICAL FEATURES
VERSIONE IN C.C.
D.C. TYPE

ALIMENTAZIONE	10 ÷ 30 Vdc	SUPPLY VOLTAGE
ONDULAZIONE RESIDUA	≤ 10%	RIPPLE
ASSORBIMENTO	< 25 mA	POWER CONSUMPTION
CARICO MASSIMO	250 mA	MAXIMUM LOAD
CADUTA DI TENSIONE	< 2V @ 250 mA	VOLTAGE DROP
PROTEZIONE C.C.	SI / YES	SHORT CIRCUIT PROTECTION
PROTEZIONE INVERSIONE DI POLARITA'	SI / YES	POLARITY REVERSAL PROTECTION
COMPATIBILITA' ELETTROMAGNETICA CE	EN 60947-5-2	CE COMPLIANCE

VERSIONE IN A.C.
A.C. TYPE

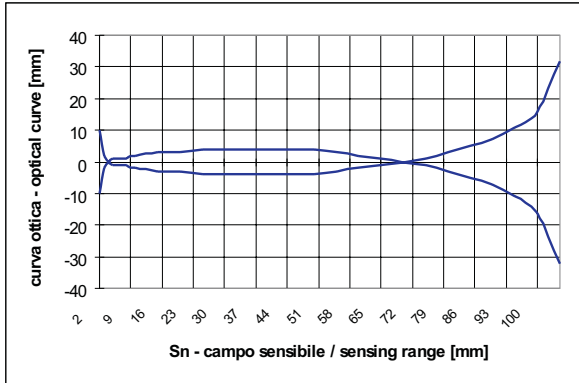
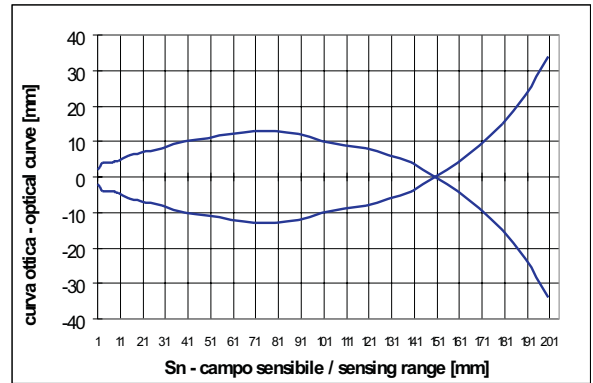
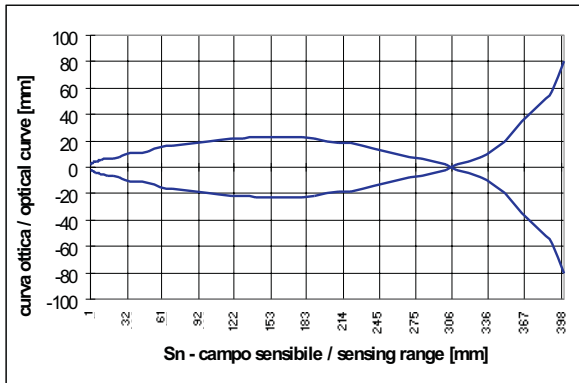
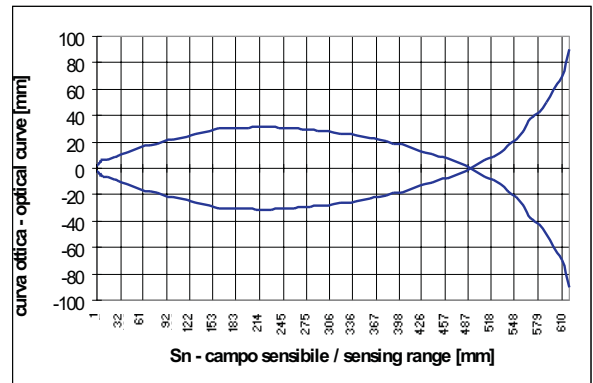
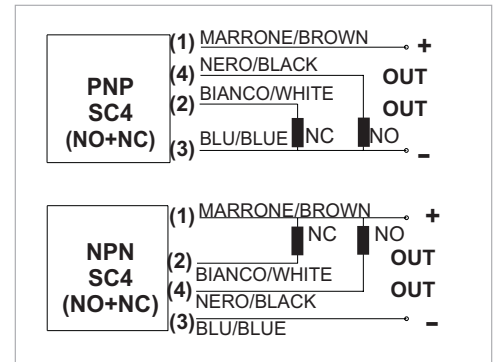
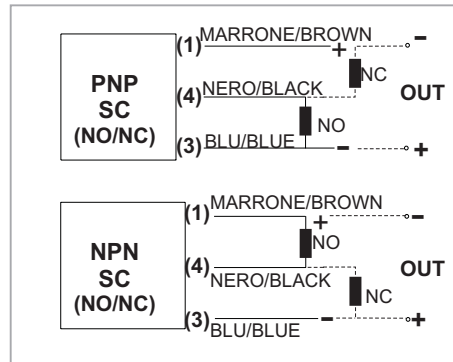
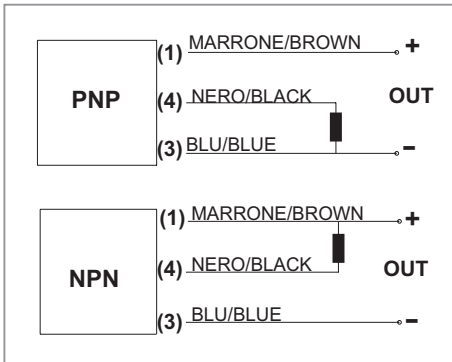
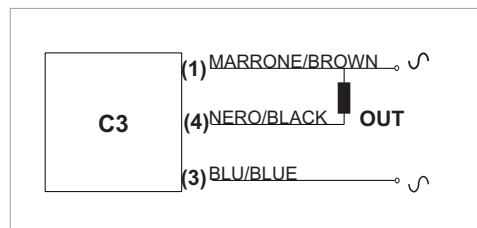
ALIMENTAZIONE	20 ÷ 230 Vac	SUPPLY VOLTAGE
ASSORBIMENTO	< 4 mA	POWER CONSUMPTION
CARICO MASSIMO	300 mA	MAXIMUM LOAD
CADUTA DI TENSIONE	< 3 V	VOLTAGE DROP
COMPATIBILITA' ELETTROMAGNETICA CE	EN 60947-5-2	CE COMPLIANCE

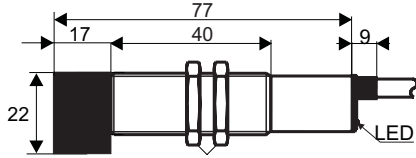
CARATTERISTICHE TECNICHE
TECHNICAL FEATURES

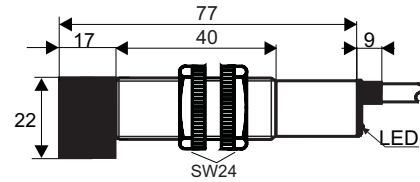
MODELLO	FISSO	DA	D1A	D2A	D3A	FIXED	MODEL
	REG.	-	D1A...R	D2A...R	D3A...R	ADJ.	
DISTANZA DI RILEVAMENTO (mm)		100*	200*	400**	600**		SENSING DISTANCE (mm)
		-	1 ÷ 200	1 ÷ 400	1 ÷ 600		
TIPO DI EMISSIONE	IR MODULATO 880 nm – PULSED IR 880 nm						EMISSION TYPE
FREQUENZA DI COMMUTAZIONE MASSIMA	(C.C.) 150 Hz (D.C.)						MAXIMUM OPERATING FREQUENCY
	(C.A.) 25 Hz (A.C.)						
TEMPERATURA DI LAVORO	-10°C ÷ 50°C						WORKING TEMPERATURE
TEMPERATURA DI STOCCAGGIO	-25°C ÷ 70°C						STOCK TEMPERATURE
MATERIALE CORPO PLASTICO	ABS						PLASTIC BODY MATERIAL
MATERIALE CORPO METALLICO	OTTONE NICHELATO / NICHEL PLATED BRASS						METAL BODY MATERIAL
MATERIALE LENTI	PMMA						LENSES MATERIAL
GRADO DI PROTEZIONE	IP65						IP RATING

* PORTATA DEFINITA SU CARTA BIANCA CON RIFLESSIONE DEL 90% DIMENSIONI 100 x 100 mm
SENSING DISTANCE DEFINED ON WHITE PAPER WITH 90% REFLEX DIMENSIONS 100 x 100 mm

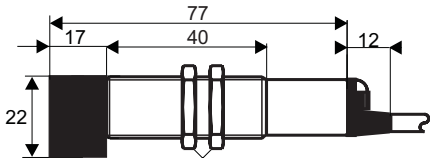
** PORTATA DEFINITA SU CARTA BIANCA CON RIFLESSIONE DEL 90% DIMENSIONI 200 x 200 mm
SENSING DISTANCE DEFINED ON WHITE PAPER WITH 90% REFLEX DIMENSIONS 200 x 200 mm

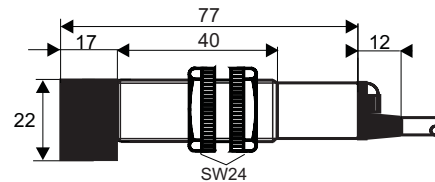
CURVE OTTICHE
OPTICAL CURVES
MODELLO D TYPE

MODELLO D1TYPE

MODELLO D2 TYPE

MODELLO D3 TYPE

COLLEGAMENTI
CONNECTIONS
3 FILI C.C. / 3 WIRES D.C.
3 FILI SC (C.C.) / 3 WIRES SC (D.C.)
4 FILI SC (C.C.) / 4 WIRES (D.C.)

3 FILI C.A. / 3 WIRES (A.C.)


DIMENSIONI MECCANICHE
MECHANICAL SIZE
CONTENITORE METALLICO / METAL BODY
CONTENITORE PLASTICO / PLASTIC BODY
VERSIONE NON REGOLABILE
FIXED VERSION
VERSIONE NON REGOLABILE
FIXED VERSION

 VISTA PARTE SENSIBILE
 SENSITIVE SIDE VIEW

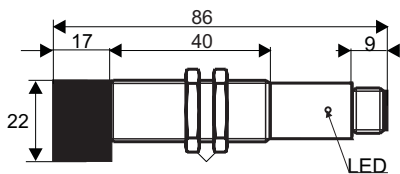
 VISTA USCITA CAVO
 CABLE OUTPUT VIEW

 VISTA PARTE SENSIBILE
 SENSITIVE SIDE VIEW

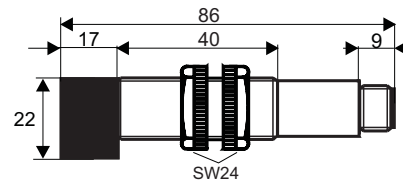
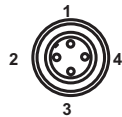
 VISTA USCITA CAVO
 CABLE OUTPUT VIEW

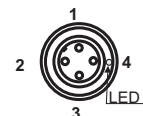
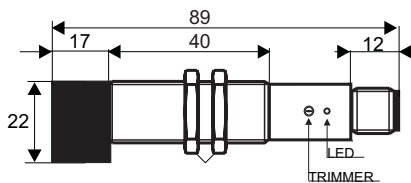
VERSIONE REGOLABILE
ADJUSTABLE VERSION
VERSIONE REGOLABILE
ADJUSTABLE VERSION

 VISTA PARTE SENSIBILE
 SENSITIVE SIDE VIEW

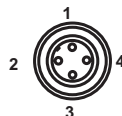
 VISTA USCITA CAVO
 CABLE OUTPUT VIEW

 VISTA PARTE SENSIBILE
 SENSITIVE SIDE VIEW

 VISTA USCITA CAVO
 CABLE OUTPUT VIEW

VERSIONE NON REGOLABILE
FIXED VERSION
VERSIONE NON REGOLABILE
FIXED VERSION

 VISTA PARTE SENSIBILE
 SENSITIVE SIDE VIEW

 VISTA USCITA CONNETTORE M12
 M12 CONNECTOR OUTPUT VIEW

 VISTA PARTE SENSIBILE
 SENSITIVE SIDE VIEW

 VISTA USCITA CONNETTORE M12
 M12 CONNECTOR OUTPUT VIEW

VERSIONE REGOLABILE
ADJUSTABLE VERSION

 VISTA PARTE SENSIBILE
 SENSITIVE SIDE VIEW

 VISTA USCITA CONNETTORE M12
 M12 CONNECTOR OUTPUT VIEW


ELENCO PRODOTTI
PRODUCTS LIST
MODELLO D - Sn = 100 mm
D TYPE - Sn = 100 mm

USCITA/OUTPUT	PLASTICA / PLASTIC		METALLICA / METAL	
	CAVO / CABLE	CONNETTORE/CONNECTOR	CAVO / CABLE	CONNETTORE/CONNECTOR
PNP NO	OCV81/DAPNO	OCV81/DAPNOC5	OCV81/DAPNOM	OCV81/DAPNOMC5
PNP NC	OCV81/DAPNC	OCV81/DAPNCC5	OCV81/DAPNCM	OCV81/DAPNCMC5
PNP SC	OCV81/DAPSC	OCV81/DAPSCC5	OCV81/DAPSCM	OCV81/DAPSCMC5
PNP SC4	OCV81/DAPSC4	OCV81/DAPSC4C5	OCV81/DAPSC4M	OCV81/DAPSC4MC5
NPN NO	OCV81/DANNO	OCV81/DANNOC5	OCV81/DANNOM	OCV81/DANNOMC5
NPN NC	OCV81/DANNC	OCV81/DANNCC5	OCV81/DANNCM	OCV81/DANNCMC5
NPN SC	OCV81/DANSC	OCV81/DANSCC5	OCV81/DANSCM	OCV81/DANSCMC5
NPN SC4	OCV81/DANSC4	OCV81/DANSC4C5	OCV81/DANSC4M	OCV81/DANSC4MC5
C.A. NO	OCV81/DAC3NO	OCV81/DAC3NOC5	OCV81/DAC3NOM	OCV81/DAC3NOMC5
C.A. NC	OCV81/DAC3NC	OCV81/DAC3NCC5	OCV81/DAC3NCM	OCV81/DAC3NCMC5

MODELLO D1 - Sn = 200 mm
D1 TYPE - Sn = 200 mm

USCITA/OUTPUT	PLASTICA/PLASTIC		METALLICA/METAL	
	CAVO/CABLE	CONNETTORE/CONNECTOR	CAVO/CABLE	CONNETTORE/CONNECTOR
PNP NO	OCV81/D1APNO	OCV81/D1APNOC5	OCV81/D1APNOM	OCV81/D1APNOMC5
PNP NC	OCV81/D1APNC	OCV81/D1APNCC5	OCV81/D1APNCM	OCV81/D1APNCMC5
PNP SC	OCV81/D1APSC	OCV81/D1APSCC5	OCV81/D1APSCM	OCV81/D1APSCMC5
PNP SC4	OCV81/D1APSC4	OCV81/D1APSC4C5	OCV81/D1APSC4M	OCV81/D1APSC4MC5
NPN NO	OCV81/D1ANNO	OCV81/D1ANNOC5	OCV81/D1ANNOM	OCV81/D1ANNOMC5
NPN NC	OCV81/D1ANNC	OCV81/D1ANNCC5	OCV81/D1ANNCM	OCV81/D1ANNCMC5
NPN SC	OCV81/D1ANSC	OCV81/D1ANSCC5	OCV81/D1ANSCM	OCV81/D1ANSCMC5
NPN SC4	OCV81/D1ANSC4	OCV81/D1ANSC4C5	OCV81/D1ANSC4M	OCV81/D1ANSC4MC5
C.A. NO	OCV81/D1AC3NO	OCV81/D1AC3NOC5	OCV81/D1AC3NOM	OCV81/D1AC3NOMC5
C.A. NC	OCV81/D1AC3NC	OCV81/D1AC3NCC5	OCV81/D1AC3NCM	OCV81/D1AC3NCMC5

MODELLO D1 - Sn = 200 mm - REGOLABILE
D1 TYPE - Sn = 200 mm - ADJUSTABLE

USCITA/OUTPUT	PLASTICA / PLASTIC		METALLICA / METAL	
	CAVO/CABLE	CONNETTORE/CONNECTOR	CAVO/CABLE	CONNETTORE/CONNECTOR
PNP NO	OCV81/D1APNOR	-	OCV81/D1APNORM	OCV81/D1APNORMC5
PNP NC	OCV81/D1APNCR	-	OCV81/D1APNCRM	OCV81/D1APNCRM5
PNP SC	OCV81/D1APSCR	-	OCV81/D1APSCRM	OCV81/D1APSCRM5
PNP SC4	OCV81/D1APSC4R	-	OCV81/D1APSC4RM	OCV81/D1APSC4RM5
NPN NO	OCV81/D1ANNOR	-	OCV81/D1ANNORM	OCV81/D1ANNORMC5
NPN NC	OCV81/D1ANNCR	-	OCV81/D1ANNCRM	OCV81/D1ANNCRM5
NPN SC	OCV81/D1ANSCR	-	OCV81/D1ANSCRM	OCV81/D1ANSCRM5
NPN SC4	OCV81/D1ANSC4R	-	OCV81/D1ANSC4RM	OCV81/D1ANSC4RM5
C.A. NO	OCV81/D1AC3NOR	-	OCV81/D1AC3NORM	OCV81/D1AC3NORMC5
C.A. NC	OCV81/D1AC3NCR	-	OCV81/D1AC3NCRM	OCV81/D1AC3NCRM5

MODELLO D2 - Sn = 400 mm
D2 TYPE - Sn = 400 mm

USCITA/OUTPUT	PLASTICA/PLASTIC		METALLICA/METAL	
	CAVO/CABLE	CONNETTORE/CONNECTOR	CAVO/CABLE	CONNETTORE/CONNECTOR
PNP NO	OCV81/D2APNO	OCV81/D2APNOC5	OCV81/D2APNOM	OCV81/D2APNOMC5
PNP NC	OCV81/D2APNC	OCV81/D2APNCC5	OCV81/D2APNCM	OCV81/D2APNCMC5
PNP SC	OCV81/D2APSC	OCV81/D2APSCC5	OCV81/D2APSCM	OCV81/D2APSCMC5
PNP SC4	OCV81/D2APSC4	OCV81/D2APSC4C5	OCV81/D2APSC4M	OCV81/D2APSC4MC5
NPN NO	OCV81/D2ANNO	OCV81/D2ANNOC5	OCV81/D2ANNOM	OCV81/D2ANNOMC5
NPN NC	OCV81/D2ANNC	OCV81/D2ANNCC5	OCV81/D2ANNCM	OCV81/D2ANNCMC5
NPN SC	OCV81/D2ANSC	OCV81/D2ANSCC5	OCV81/D2ANSCM	OCV81/D2ANSCMC5
NPN SC4	OCV81/D2ANSC4	OCV81/D2ANSC4C5	OCV81/D2ANSC4M	OCV81/D2ANSC4MC5
C.A. NO	OCV81/D2AC3NO	OCV81/D2AC3NOC5	OCV81/D2AC3NOM	OCV81/D2AC3NOMC5
C.A. NC	OCV81/D2AC3NC	OCV81/D2AC3NCC5	OCV81/D2AC3NCM	OCV81/D2AC3NCMC5

MODELLO D2 - Sn = 400 mm - REGOLABILE
D2 TYPE - Sn = 400 mm ADJUSTABLE

USCITA/OUTPUT	PLASTICA /PLASTIC		METALLICA /METAL	
	CAVO/CABLE	CONNETTORE/CONNECTOR	CAVO/CABLE	CONNETTORE/CONNECTOR
PNP NO	OCV81/D2APNOR	-	OCV81/D2APNORM	OCV81/D2APNORMC5
PNP NC	OCV81/D2APNCR	-	OCV81/D2APNCRM	OCV81/D2APNCRM5
PNP SC	OCV81/D2APSCR	-	OCV81/D2APSCRM	OCV81/D2APSCRM5
PNP SC4	OCV81/D2APSC4R	-	OCV81/D2APSC4RM	OCV81/D2APSC4RM5
NPN NO	OCV81/D2ANNOR	-	OCV81/D2ANNORM	OCV81/D2ANNORMC5
NPN NC	OCV81/D2ANNCR	-	OCV81/D2ANNCRM	OCV81/D2ANNCRM5
NPN SC	OCV81/D2ANSCR	-	OCV81/D2ANSCRM	OCV81/D2ANSCRM5
NPN SC4	OCV81/D2ANSC4R	-	OCV81/D2ANSC4RM	OCV81/D2ANSC4RM5
C.A. NO	OCV81/D2AC3NOR	-	OCV81/D2AC3NORM	OCV81/D2AC3NORMC5
C.A. NC	OCV81/D2AC3NCR	-	OCV81/D2AC3NCRM	OCV81/D2AC3NCRM5

MODELLO D3 - Sn = 600 mm
D3 TYPE - Sn = 600 mm

USCITA/OUTPUT	PLASTICA / PLASTIC		METALLICA / METAL	
	CAVO/CABLE	CONNETTORE/CONNECTOR	CAVO/CABLE	CONNETTORE/CONNECTOR
PNP NO	OCV81/D3APNO	OCV81/D3APNOC5	OCV81/D3APNOM	OCV81/D3APNOMC5
PNP NC	OCV81/D3APNC	OCV81/D3APNCC5	OCV81/D3APNCM	OCV81/D3APNCMC5
PNP SC	OCV81/D3APSC	OCV81/D3APSCC5	OCV81/D3APSCM	OCV81/D3APSCMC5
PNP SC4	OCV81/D3APSC4	OCV81/D3APSC4C5	OCV81/D3APSC4M	OCV81/D3APSC4MC5
NPN NO	OCV81/D3ANNO	OCV81/D3ANNOC5	OCV81/D3ANNOM	OCV81/D3ANNOMC5
NPN NC	OCV81/D3ANNC	OCV81/D3ANNCC5	OCV81/D3ANNCM	OCV81/D3ANNCMC5
NPN SC	OCV81/D3ANSC	OCV81/D3ANSCC5	OCV81/D3ANSCM	OCV81/D3ANSCMC5
NPN SC4	OCV81/D3ANSC4	OCV81/D3ANSC4C5	OCV81/D3ANSC4M	OCV81/D3ANSC4MC5
C.A. NO	OCV81/D3AC3NO	OCV81/D3AC3NOC5	OCV81/D3AC3NOM	OCV81/D3AC3NOMC5
C.A. NC	OCV81/D3AC3NC	OCV81/D3AC3NCC5	OCV81/D3AC3NCM	OCV81/D3AC3NCMC5

MODELLO D3 - Sn = 600 mm - REGOLABILE
D3 TYPE - Sn = 600 mm ADJUSTABLE

USCITA/OUTPUT	PLASTICA /PLASTIC		METALLICA /METAL	
	CAVO/CABLE	CONNETTORE/CONNECTOR	CAVO/CABLE	CONNETTORE/CONNECTOR
PNP NO	OCV81/D3APNOR	-	OCV81/D3APNORM	OCV81/D3APNORMC5
PNP NC	OCV81/D3APNCR	-	OCV81/D3APNCRM	OCV81/D3APNCRM5
PNP SC	OCV81/D3APSCR	-	OCV81/D3APSCRM	OCV81/D3APSCRM5
PNP SC4	OCV81/D3APSC4R	-	OCV81/D3APSC4RM	OCV81/D3APSC4RM5
NPN NO	OCV81/D3ANNOR	-	OCV81/D3ANNORM	OCV81/D3ANNORM5
NPN NC	OCV81/D3ANNCR	-	OCV81/D3ANNCRM	OCV81/D3ANNCRM5
NPN SC	OCV81/D3ANSCR	-	OCV81/D3ANSCRM	OCV81/D3ANSCRM5
NPN SC4	OCV81/D3ANSC4R	-	OCV81/D3ANSC4RM	OCV81/D3ANSC4RM5
C.A. NO	OCV81/D3AC3NOR	-	OCV81/D3AC3NORM	OCV81/D3AC3NORM5
C.A. NC	OCV81/D3AC3NCR	-	OCV81/D3AC3NCRM	OCV81/D3AC3NCRM5

RIFERIMENTI CONNETTORI PARTE VOLANTE
CONNECTOR LOOSE PART CODES

FEMMINA / FEMALE	DIRITTO/STRAIGHT	90°/90 DEGREES ANGLED CABLE OUPUT	M12
CAVO / CABLE	L70500	C70500	3 POLI / 3 POLES
CEI 20-22 II - L= 5 m	L90500	C90500	4 POLI / 4 POLES

- interruttori di prossimità induttivi;
- interruttori di prossimità capacitivi;
- interruttori di prossimità magnetici;
- interruttori di prossimità fotoelettrici;

- connettori e cassette di connessione per sensori;

- encoder incrementali ed assoluti;

- alimentatori / interfacce per sensori;
- alimentatori da rete e da secondario per uso generico;

- voltmetri, amperometri, contagiri, visualizzatori a pannello;
- contaimpulsi mono e bidirezionali, contaproduzione, contagiri;
- termometri e termoregolatori

- schede logiche programmabili per uso OEM;

- pulsanteria e finecorsa meccanici;

Other products:

- ***inductive proximity switches;***
- ***capacitive proximity switches;***
- ***magnetic proximity switches;***
- ***photo-electric sensors & proximity switches;***

- ***connectors & connection boxes for sensor;***

- ***incremental & absolute encoders;***

- ***supply units / interfaces for sensors;***
- ***power supply units for general purpose;***

- ***voltmeters, ammeters, revolution counters, panel displays;***
- ***counters mono & bi-directional, timers, revolution counters;***
- ***thermometers & temperature controllers;***

- ***OEM programmable logic cards;***

- ***push-button & mechanical limit switches;***