



## Main

Range of product	Zelio Control
Product or component type	Modular measurement and control relays
Relay type	Temperature control relays
Product specific application	Heating and cooling HVAC Industrial machines Packaging
Relay name	REG
Outer dimension	1/16 DIN 48 x 48 mm
Analogue input type	Current 0...20 mA Current 4...20 mA Temperature probe Pt 100 Thermocouple thermocouple J, K, R, B, S, T, E, N, PLII Voltage 0...0.1 V Voltage 0...10 V Voltage 0...5 V Voltage 1...5 V Voltage 2...10 V
[Us] rated supply voltage	100...240 V
Output type	1 current / 4...20 mA 1 solid state relay at 24 V DC / 20 mA
Alarm output	2 SPDT
Communication port protocol	Modbus

## Complementary

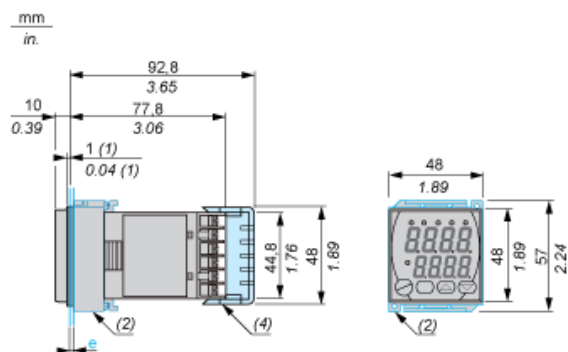
Supply voltage limits	85...264 V
Measurement accuracy	0.3 % full scale
Sampling duration	200 ms
Power consumption in VA	12 VA at 100...240 V AC
Method of access	Slave
Transmission frame	RTU
Physical interface	RS485 non isolated
Exchange mode	Half duplex
Transmission rate	9600, 19200 kbit/s
Function available	Auto tuning Fuzzy logic Hysteresis on-off Manual operation PID Ramp 16 steps Soft start
Marking	CE
Operating position	Any position
Local signalling	1 LED green for alarm output 1 active (D01) 1 LED green for alarm output 2 active (D02) 1 LED green for setpoint value indicator (SV) 1 LED red for process output 1 active (C1) 1 LED red for process output 2 active (C2) 1 LED red for process value indicator (PV) 4 digits 7 segments green for setpoint value 4 digits 7 segments red for process value
Mounting support	Panel

## Environment

Standards	CSA C22-2 No 24-93 EN 61010-1 EN 61326-1
Product certifications	CURus (873) GOST
Ambient air temperature for storage	-20...60 °C
Ambient air temperature for operation	-10...50 °C
Relative humidity	90 % without condensation
Operating altitude	2000 m
Storage altitude	3000 m
Vibration resistance	1 gn at 10...70 Hz conforming to IEC 60068-2-6
Shock resistance	5 gn conforming to IEC 60068-2-27
IP degree of protection	IP20 (rear) IP66 (front face) conforming to IEC 60529
NEMA degree of protection	NEMA 4X (front face)

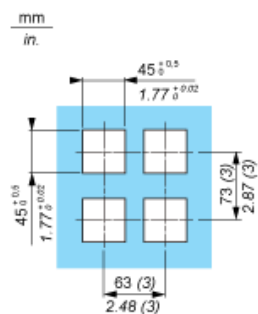
48 x 48 Size – 1/16 DIN Standard

Panel Mounting: Bracket Supplied



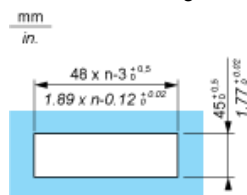
- (1) Seal
- (2) Fixing brackets supplied with REG temperature control relays.
- (4) Terminal block cover, to be ordered separately.

Panel cut-out



- (3) Minimum value.

Side stick mounting: n units (water-proof property lost in this case)



## Temperature Control Relays

### Wiring Diagram

