



Main

Range of product	Harmony XB5S
Product or component type	Biometric switch
Product specific application	Materials handling Industrial machines
Device short name	XB5S
Bezel material	Plastic
Mounting diameter	22 mm
Output type	PNP
Sale per indivisible quantity	1
IP degree of protection	IP65 front face conforming to EN/IEC 60529 IP20 rear face conforming to EN/IEC 60529
Type of operator	Stay put
Operator position information	2 positions
Operator profile	Fingerprint reader
Connections - terminals	1 pre-wired cable, clamping capacity: 3 x 0.11 mm ²
Memory usage	200 users with up to 2 fingerprints per user

Complementary

Product compatibility	Magelis iPC industrial PCs Magelis Panel PC
Software designation	Vijeo Designer
Enclosure material	Polyamide PA66
Cable insulation material	PvR
Operating position	Horizontal position Vertical surface installation Flat surface installation
Product weight	0.202 kg
Marking	CE
Communication port protocol	USB
Type of connector	USB type A male with 1 m cable
Short circuit protection	250 mA by gG external fuse
[Us] rated supply voltage	24 V DC
Electrical connection	Free wire ends with 3 wires of 2 m
Supply voltage limits	20...30 V DC
Protection type	Reverse polarity Short-circuit Overload protection
Maximum switching current	>0.0 mA...200.0 mA
[Ures] residual voltage	<= 1 V, closed state
Current consumption	<= 50 mA no-load

The information provided in this documentation contains general descriptions and/or technical characteristics of the performance of the products contained herein. This documentation is not intended as a substitute for and is not to be used for determining suitability or reliability of these products for specific user applications. It is the duty of any such user or integrator to perform the appropriate and complete risk analysis, evaluation and testing of the products with respect to the relevant specific application or use thereof. Neither Schneider Electric Industries SAS nor any of its affiliates or subsidiaries shall be responsible or liable for misuse of the information contained herein.

Environment

Ambient air temperature for storage	-25.0 °C...70.0 °C
Ambient air temperature for operation	-5.0 °C...50.0 °C
NEMA degree of protection	NEMA 12
Standards	IEC 61000-6-4 IEC 61000-6-2
Product certifications	UL CSA
Vibration resistance	1 gn (f = 9...500 Hz) conforming to IEC 60068-2-6 +/- 3 mm (f = 5...9 Hz) conforming to IEC 60068-2-6
Shock resistance	50 gn for 11 ms conforming to IEC 60068-2-27

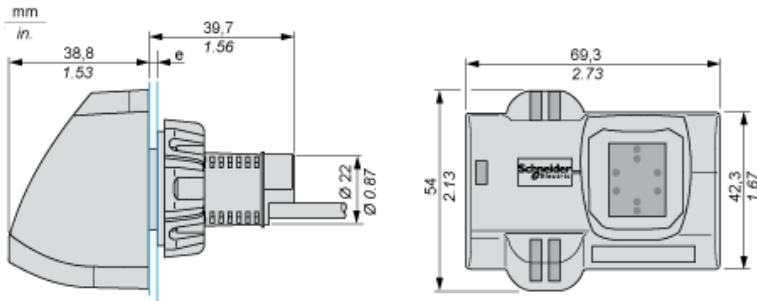
Offer Sustainability

Sustainable offer status	Not Green Premium product
RoHS (date code: YYWW)	Will not be compliant

RoHS compliance

RoHS EUR status	Will not be compliant
-----------------	-----------------------

Dimensions of Biometric Switches



e: 1 to 6 mm / 0.04 to 0.24 in.