

# wall mounting socket outlet - with external fixing

## Product description

Order number	11765
EAN/pcs	4024941117654
Product Group	GT wall mounting socket outlet
Amperage	16A
Poles	3p (2P+PE)
Earth 'Clock' Position	6 h
Voltage	200 up to 250V
Frequency	50 and 60Hz
Protection	IP44
Color code	blue RAL 5015
Connection Design	screw terminal
Max. conductor	4,0 mm <sup>2</sup>

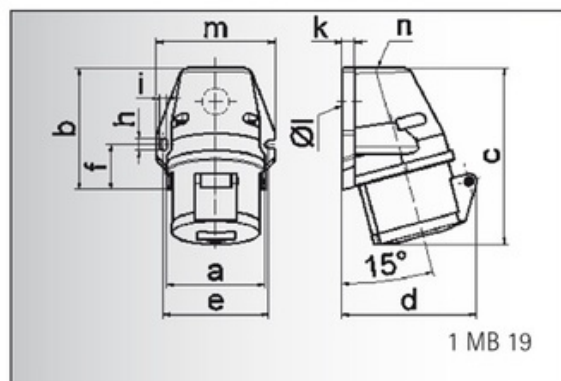


## Further Information

Cable entry	top entry M20
Packaging	90x72 mm (HxW)
Additional technical information	The cable entry is one at top open and one at bottom closed

## Material

Material of Enclosure	Polyamide
Contact / Contact Carrier	contact carrier made of polyamide, the contacts are brass
Weight/pcs	0.175 kg
Packaging unit	10 pcs



Ampere	16	16	16	32	32	32
Polzahl	3	4	5	3	4	5
a	59,5	72,4	72,4	79,1	79,1	79,1
b	90,0	90,0	90,0	92,0	92,0	92,0
c	130,0	130,0	131,0	142,0	142,0	142,0
d	85,0	96,0	98,0	103,0	103,0	106,0
e	62,0	77,0	77,0	84,0	84,0	84,0
f	33,5	33,5	33,5	30,0	30,0	30,0
h	9,0	9,0	9,0	9,0	9,0	9,0
i	5,5	5,5	5,5	5,5	5,5	5,5
k	8,0	9,0	9,0	9,0	9,0	9,0
l ø	21,0	21,0	21,0	21,0	21,0	21,0
m	72,0	87,0	87,0	94,0	94,0	94,0
n	M 20	M 25	M 25	M 25	M 25	M 25
Leiter mm <sup>2</sup> min	1,5	1,5	1,5	2,5	2,5	2,5
Leiter mm <sup>2</sup> max	4	4	4	10	10	10