

ATE Series

Single Time Range Timer

DIN W48×H48mm Solid state ON delay timer

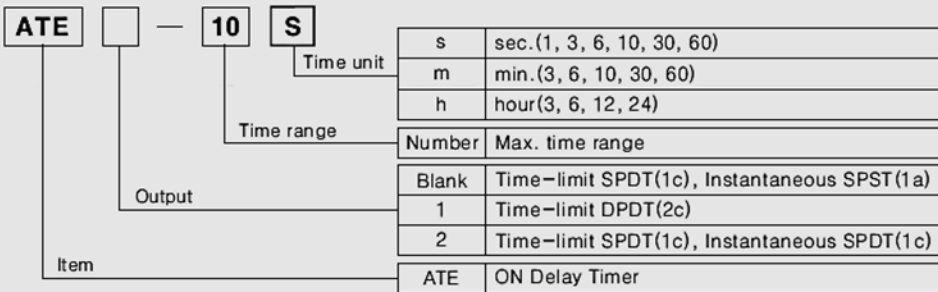
Features

- DIN W48×H48mm
- Easy and simple time setting
- Cost-effective
- Easy time setting
- Wide range of time
- Power supply
 - ATE : 110/220VAC 50/60Hz
 - ATE1, ATE2 : 110VAC, 220VAC 50/60Hz, 12VDC, 24VDC(Option)



⚠ Please read "Caution for your safety" in operation manual before using.

Ordering information



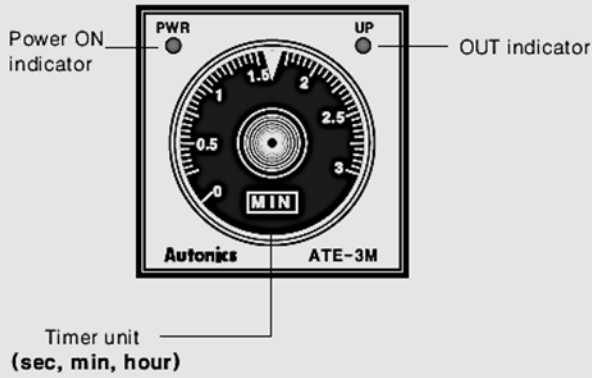
Specifications

Model	ATE- s m h	ATE1- s m h	ATE2- s m h
Function	Power ON Delay		
Control time setting range	sec.(1, 3, 6, 10, 30, 60), min.(3, 6, 10, 30, 60), hour(3, 6, 12, 24)		
Power supply	110/220VAC 50/60Hz	110VAC, 220VAC 50/60Hz, 12VDC, 24VDC(Option)	
Allowable voltage range	90 to 110% of rated voltage		
Power consumption	Approx. 10VA(240VAC 60Hz), Approx. 2W(24VDC, 12VDC)		
Reset time	Max. 200ms		
Timing operation	Power ON start type		
Control output	Contact type	Time limit SPDT(1c), Instantaneous SPST(1a)	Time limit DPDT(2c)
	Contact capacity	250VAC 3A resistive load	
Relay life cycle	Mechanical	Min.10,000,000 times	
	Electrical	Min. 100,000 times(250VAC 3A resistive load)	
Repeat error	Max. ±0.3%		
SET error	Max. ±5% ±0.05sec.		
Voltage error	Max. ±0.5%		
Temperature error	Max. ±2%		
Insulation resistance	100MΩ (at 500VDC megger)		
Dielectric strength	2000VAC 50/60Hz for 1 minute		
Noise strength	±2kV the square wave noise(pulse width : 1μs) by the noise simulator		
Vibration	Mechanical	0.75mm amplitude at frequency of 10 to 55Hz in each of X, Y, Z directions for 1 hours	
	Malfunction	0.5mm amplitude at frequency of 10 to 55Hz in each of X, Y, Z directions for 10 minutes	
Shock	Mechanical	300m/s ² (Approx. 30G) in X, Y, Z directions 3 times	
	Malfunction	100m/s ² (Approx. 10G) in X, Y, Z directions 3 times	
Ambient temperature	-10 to 55℃ (at non-freezing status)		
Storage temperature	-25 to 65℃ (at non-freezing status)		
Ambient humidity	35 to 85%RH		
Unit weight	Approx. 75g		

- (A) Photo electric sensor
- (B) Fiber optic sensor
- (C) Door/Area sensor
- (D) Proximity sensor
- (E) Pressure sensor
- (F) Rotary encoder
- (G) Connector/Socket
- (H) Temp. controller
- (I) SSR/Power controller
- (J) Counter
- (K) Timer**
- (L) Panel meter
- (M) Tacho/Speed/Pulse meter
- (N) Display unit
- (O) Sensor controller
- (P) Switching power supply
- (Q) Stepping motor & Driver & Controller
- (R) Graphic/Logic panel
- (S) Field network device
- (T) Production stoppage models & replacement

ATE Series

Front panel identification

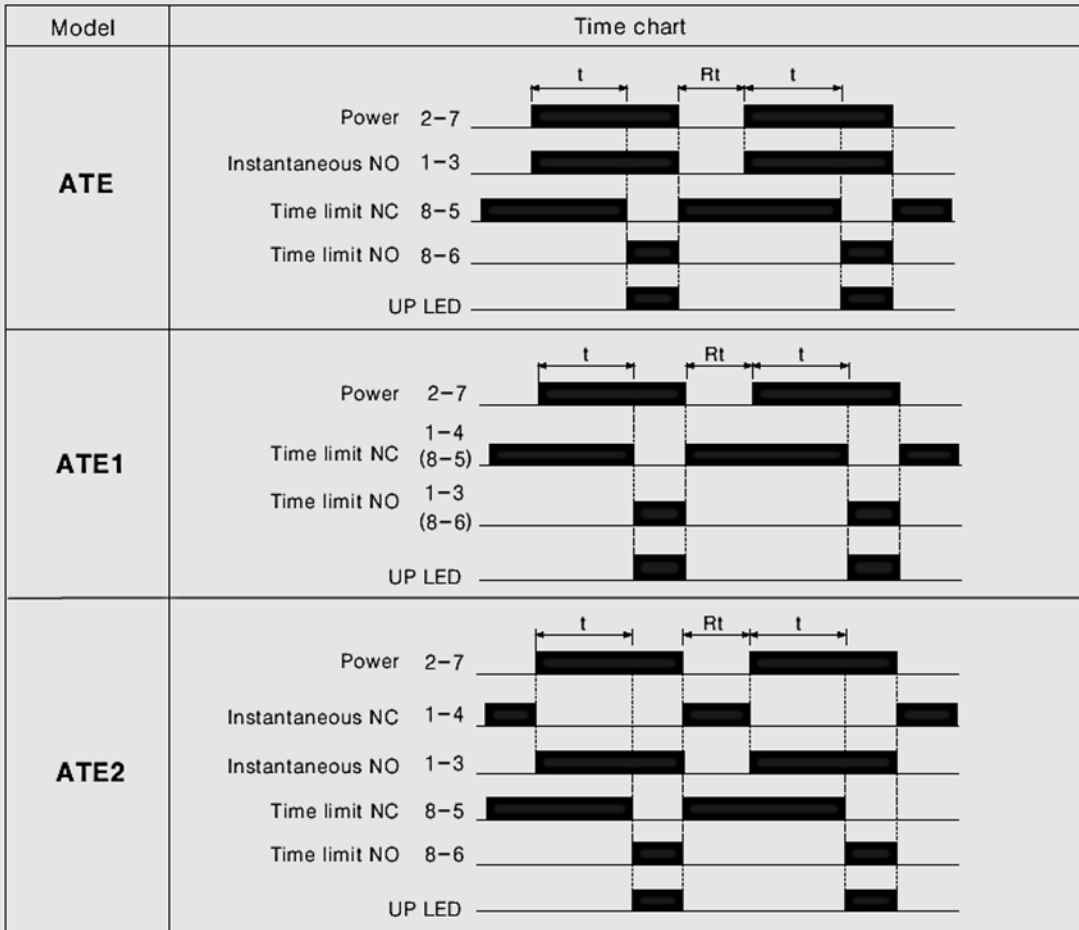


Time setting range

Max. setting time	Setting range
1 sec.	0 to 1 sec.
3 sec.	0 to 3 sec.
6 sec.	0 to 6 sec.
10 sec.	0 to 10 sec.
30 sec.	0 to 30 sec.
60 sec.	0 to 60 sec.
3 min.	0 to 3 min.
6 min.	0 to 6 min.
10 min.	0 to 10 min.
30 min.	0 to 30 min.
60 min.	0 to 60 min.
3 hour	0 to 3 hour
6 hour	0 to 6 hour
12 hour	0 to 12 hour
24 hour	0 to 24 hour

Output operation mode

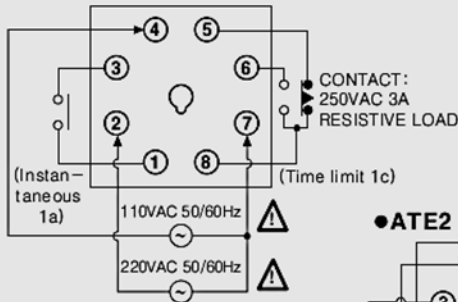
t : Setting time, Rt : Reset time



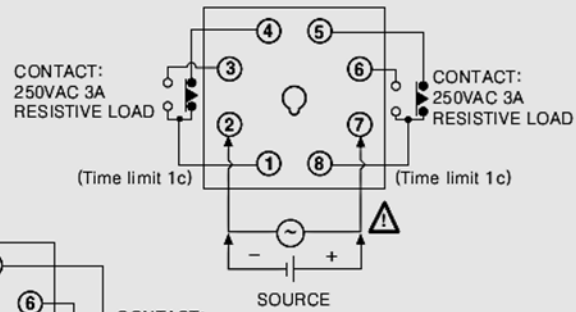
Single Time Range Timer

Connections

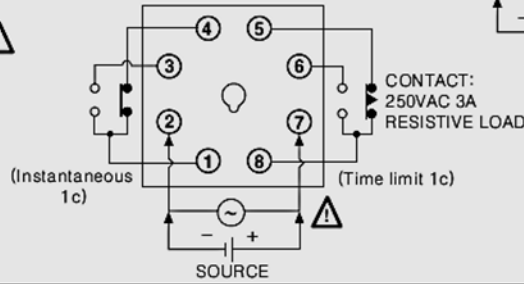
ATE Series



ATE1 Series

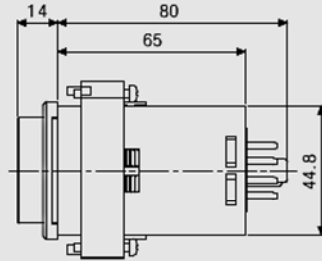
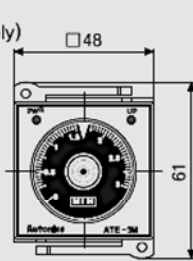
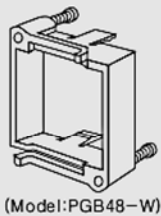


ATE2 Series

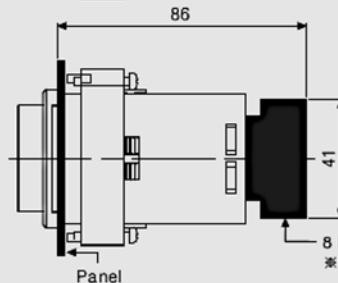
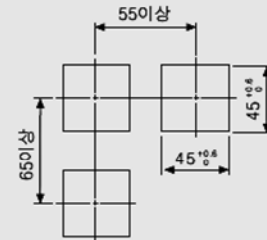


Dimensions

Bracket (Sold separately)



Panel cut-out



8 Pin socket : PG-08 (Sold separately)
*Refer to G-11 page.

(Unit:mm)

Proper usage

Environment

Please avoid the following places:

- A place where this product may be damaged by strong impact or vibration.
- A place where corrosive gas or flammable gas and water, oil, dust exist.
- A place where magnetic and electrical noise occur.
- A place where high temperature and humidity are beyond rated specification.
- A place where there are strong alkalis and acids.
- A place where there are direct rays of sun.

Noise

- 1) We test 2kV, Pulse width 1μs against Impulse voltage between power terminals and 1kV, Pulse width 1μs at noise simulator against external noise voltage.

Please install MP condenser (0.1 to 1μF) or oil condenser between power terminals when over impulse noise voltage occurs.

- 2) When testing dielectric voltage and insulation resistance of the control panel with this unit installed.

● Please isolate this unit from the circuit of control panel.

● Please make all terminals of this unit short-circuited.

(It prevents the damage of inner circuit.)

(A)	Photo electric sensor
(B)	Fiber optic sensor
(C)	Door/Area sensor
(D)	Proximity sensor
(E)	Pressure sensor
(F)	Rotary encoder
(G)	Connector/Socket
(H)	Temp. controller
(I)	SSR/ Power controller
(J)	Counter
(K)	Timer
(L)	Panel meter
(M)	Tacho/ Speed/ Pulse meter
(N)	Display unit
(O)	Sensor controller
(P)	Switching power supply
(Q)	Stepping motor & Driver & Controller
(R)	Graphic/ Logic panel
(S)	Field network device
(T)	Production stoppage models & replacement