

# HMIZRA1

## Illuminated Switch-5 Function keys with multi-color LEDs backlit



### Main

Range of product	Magelis HMIZ
Product or component type	Illuminated USB switch
Product compatibility	Magelis iPC industrial PCs Magelis Panel PC
Device application	Food and beverage Industrial machines
Kit composition	1 instruction sheet 1 illuminated switch 1 gasket 1 anti-rotation tee 1 tightening wrench 1 installation nut 3 sheet of label 1 USB type B cable clamp
Associated product for installation	HMIZLYRA1 HMIZKITRA1 HMIZU50

### Complementary

Software designation	Vijeo Designer version >= V6.1 SP2
Connector type	USB type B
Control type	5 pushbuttons with multi-colour backlit LED
Colour of cover	Front dark grey cover
[Us] rated supply voltage	5 V DC, connector type: USB 2.0
Supply voltage limits	4.75...5.25 V DC
Power consumption	2 W
Shock resistance	147 m/s <sup>2</sup> (3 chocs in each direction X, Y and Z) conforming to IEC 61131-2
Electromagnetic compatibility	Electrical fast transient/burst immunity test - test level 1 kV (signal ports) conforming to IEC 61000-4-4 Electrical fast transient/burst immunity test - test level 2 kV (power ports) conforming to IEC 61000-4-4 Electrostatic discharge immunity test - test level 6 kV (contact discharge) conforming to IEC 61000-4-2 Electrostatic discharge immunity test - test level 8 kV (air discharge) conforming to IEC 61000-4-2
Mounting location	Flat surface
Quantity per set	1 piece
CAD overall height	54 mm
CAD overall width	122 mm
CAD overall depth	28 mm
Product weight	0.11 kg

### Environment

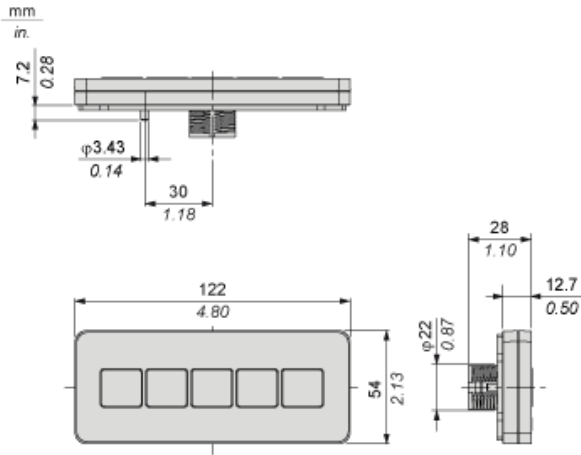
Ambient air temperature for storage	-20...60 °C
Relative humidity	10...90 % at 0...55 °C (non-condensing)
Pollution degree	2
Environmental characteristic	Corrosive gas free
Operating altitude	<= 2000 m
Vibration resistance	3.5 mm (f=5...9 Hz) conforming to IEC 61131-2
IP degree of protection	IP65 front panel (in enclosure)
NEMA degree of protection	NEMA 13 for enclosed outdoor NEMA 4X for indoor installation

---

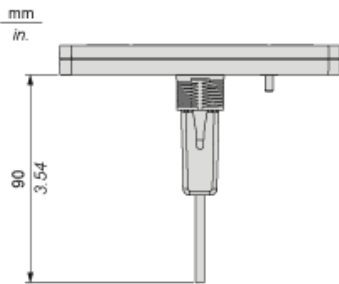
Standards	CSA C22.2 No 142 EN 61000-6-2 EN 61000-6-4 ROHS directive 2002/95/EC UL 508 EMC 2004/108/EC ANSI/ISA 12-12-01 WEEE directive 2002/96/EC CSA C22.2 No 213 RoHS China SJ/T 11363-2006
Product certifications	CE C-Tick GOST UL/CUL listed
Level or class	Class I Division 2 Groups A/B/C/D

---

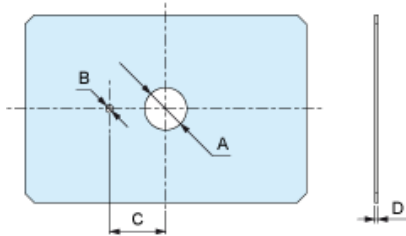
## Dimensions



## Dimensions with Cable



Mounting of Panel Cut-Out



Dimensions in mm

A	B	C	D
22.50 <sub>-0.30</sub>	4 <sub>-0.20</sub>	30 <sub>-0.20</sub>	1.5...6

Dimensions in in.

A	B	C	D
0.88 <sub>-0.01</sub>	0.15 <sub>-0.007</sub>	1.18 <sub>-0.007</sub>	0.06...0.23