

wall mounting socket outlet - housing dimensions 126x83

Product description

Order number	11956
EAN/pcs	4024941119566
Product Group	Wall mounting socket outlet Quick-Connect
Amperage	32A
Poles	4p (3P+PE)
Earth 'Clock' Position	6 h
Voltage	380 up to 415V
Frequency	50 and 60Hz
Protection	IP44
Color code	red RAL 3000
Connection Design	screwless spring terminals as cage clamp with Kontext-contact
Max. conductor	10,0 mm ²

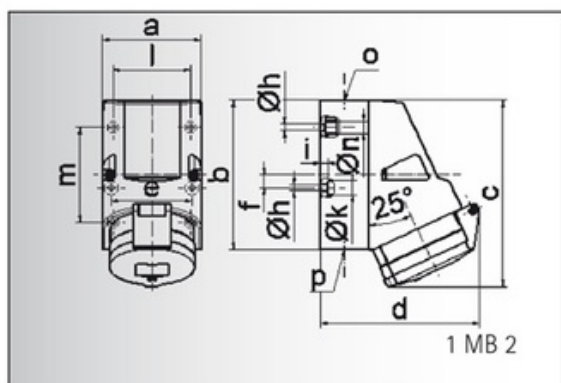


Further Information

Cable entry	M25
Packaging	126x83 mm (HxW)
Additional technical information	The cable entry is one at top open and two at bottom closed Lower part of housing rotatable by 180° 4 cut out fixing holes in the lower part of housing

Material

Material of Enclosure	Polyamide
Contact / Contact Carrier	contact carrier made of polyamide, the contacts are brass
Weight/pcs	0.364 kg
Packaging unit	10 pcs



Ampere	16	16	32	32	32
Polzahl	4	5	3	4	5
a	83,0	83,0	83,0	83,0	83,0
b	126,0	126,0	126,0	126,0	126,0
c	153,0	155,0	155,0	155,0	155,0
d	127,0	130,0	130,0	130,0	136,0
e	68,0	68,0	68,0	68,0	68,0
f	11,0	11,0	11,0	11,0	11,0
h ø	5,5	5,5	5,5	5,5	5,5
i	6,5	6,5	6,5	6,5	6,5
k ø	12,0	12,0	12,0	12,0	12,0
l	65,0	65,0	65,0	65,0	65,0
m	80,0	80,0	80,0	80,0	80,0
n ø	10,0	10,0	10,0	10,0	10,0
o	M 25	M 25	M 25	M 25	M 25
p	2 x M 25	2 x M 25	2 x M 25	2 x M 25	2 x M 25
Leiter mm² min	1,5	1,5	2,5	2,5	2,5
Leiter mm² max	4	4	10	10	10