

# wall mounting socket outlet - housing dimensions 126x83

## Product description

|                        |                                |
|------------------------|--------------------------------|
| Order number           | 1118                           |
| EAN/pcs                | 4024941011181                  |
| Product Group          | GT wall mounting socket outlet |
| Amperage               | 32A                            |
| Poles                  | 4p (3P+PE)                     |
| Earth 'Clock' Position | 6 h                            |
| Voltage                | 380 up to 415V                 |
| Frequency              | 50 and 60Hz                    |
| Protection             | IP44                           |
| Color code             | red RAL 3000                   |
| Connection Design      | screw terminal                 |
| Max. conductor         | 10,0 mm <sup>2</sup>           |

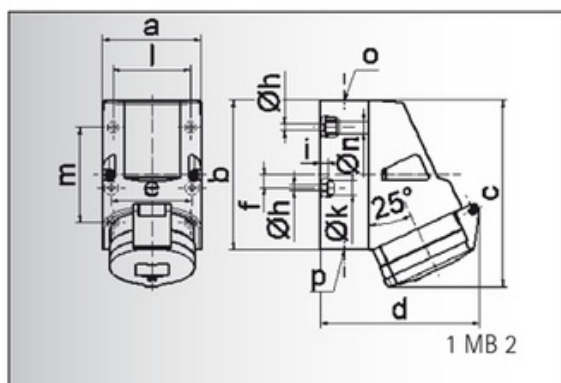


## Further Information

|                                  |   |
|----------------------------------|---|
| Cable entry                      | M25   |
| Packaging                        | 126x83 mm (HxW)   |
| Additional technical information | The cable entry is one at top open and two at bottom closed<br>Lower part of housing rotatable by 180°<br>4 cut out fixing holes in the lower part of housing |

**Material**

|                           |   |
|---------------------------|---|
| Material of Enclosure     | Polyamide   |
| Contact / Contact Carrier | contact carrier made of polyamide, the contacts are brass |
| Weight/pcs                | 0.390 kg  |
| Packaging unit            | 10 pcs  |



|                |          |          |          |          |          |
|----------------|----------|----------|----------|----------|----------|
| Ampere         | 16       | 16       | 32       | 32       | 32       |
| Polzahl        | 4        | 5        | 3        | 4        | 5        |
| a              | 83,0     | 83,0     | 83,0     | 83,0     | 83,0     |
| b              | 126,0    | 126,0    | 126,0    | 126,0    | 126,0    |
| c              | 153,0    | 155,0    | 155,0    | 155,0    | 155,0    |
| d              | 127,0    | 130,0    | 130,0    | 130,0    | 136,0    |
| e              | 68,0     | 68,0     | 68,0     | 68,0     | 68,0     |
| f              | 11,0     | 11,0     | 11,0     | 11,0     | 11,0     |
| h ø            | 5,5      | 5,5      | 5,5      | 5,5      | 5,5      |
| i              | 6,5      | 6,5      | 6,5      | 6,5      | 6,5      |
| k ø            | 12,0     | 12,0     | 12,0     | 12,0     | 12,0     |
| l              | 65,0     | 65,0     | 65,0     | 65,0     | 65,0     |
| m              | 80,0     | 80,0     | 80,0     | 80,0     | 80,0     |
| n ø            | 10,0     | 10,0     | 10,0     | 10,0     | 10,0     |
| o              | M 25     | M 25     | M 25     | M 25     | M 25     |
| p              | 2 x M 25 | 2 x M 25 | 2 x M 25 | 2 x M 25 | 2 x M 25 |
| Leiter mm² min | 1,5      | 1,5      | 2,5      | 2,5      | 2,5      |
| Leiter mm² max | 4        | 4        | 10       | 10       | 10       |