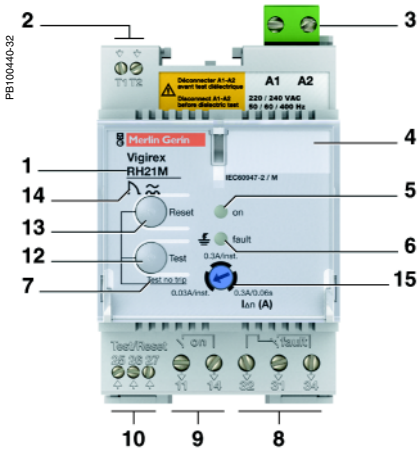
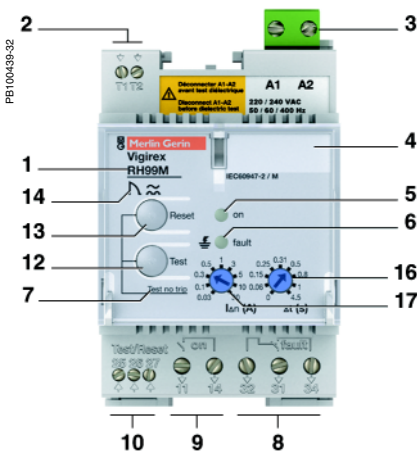


RH10M.



RH21M.



RH99M.

Relay marking

- 1 Type of relay.
- 4 Customer marking zone (circuit identification).
- 11 Sensitivity (RH10M): $I_{\Delta n}$ (A) / Δt (s).
- 14 Relay class.

Controls

- 7 Press and hold the Reset button, then press the Test button to test the device without actuating the output contacts.
- 12 Test button.
- 13 Reset button.

Indications

- 5 Green voltage-presence LED (on).
- 6 Red insulation-fault LED (fault).

LED status		Meaning
on	fault	
●	●	Normal operation
●	●	Fault current detected
●	● ● ●	Relay/sensor link fault
●	●	No voltage or device not in service
●	●	Malfunction detected

Key:

- off
- (●) green (or red)
- ● ● flashing.

Settings

- 15 Threshold and time-delay selectors (RH21): $I_{\Delta n}$ (A) / Δt (s)
Three possible settings:
 - 0.03 A sensitivity, instantaneous
 - 0.3 A sensitivity, instantaneous
 - 0.3 A sensitivity, 0.06 s delay
- 16 Time-delay selector (RH99): Δt (s)
Nine possible settings (instantaneous – 0.06 s – 0.15 s – 0.25 s – 0.31 s – 0.5 s – 0.8 s – 1 s – 4.5 s).
- 17 Threshold selector (RH99): $I_{\Delta n}$ (A)
Nine possible settings (0.03 A – 0.1 A – 0.3 A – 0.5 A – 1 A – 3 A – 5 A – 10 A – 30 A).

Connection

- 2 Sensor.
- 3 Plug-in supply.
- 8 Fault contact.
- 9 Voltage-presence contact.
- 10 Remote reset/test.