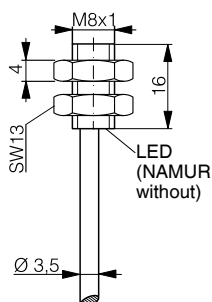


Size	M8	
Operating distance mm	1.5	
Housing material	Stainless steel V2A	
Connection ¹⁾	PVC cable type 2	
Degree of protection	IP 67	
Mounting	Embeddable	
Max. switching frequency	5,000 Hz	10,000 Hz
Technical data ²⁾	Table 1	Table 5
Wiring ³⁾	Diagram 1	Diagram 4
LED	Built-in	---
Supply voltage range	10 ... 30 VDC	7.7 ... 9 VDC
Ambient temperature range	-25 ... +70 °C	-25 ... +70 °C
Output current	≤ 200 mA	≤ 1 / ≥ 2.2 mA*

- ¹⁾ Standard cable length 2 m.
Non-standard cable lengths and types on request.
²⁾ see page 68
³⁾ see page 69
⁴⁾ see page 112



Dimensions:

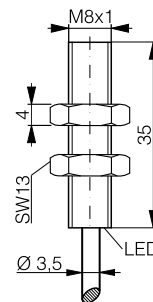
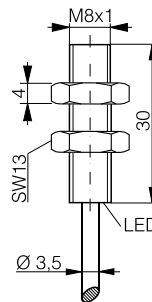
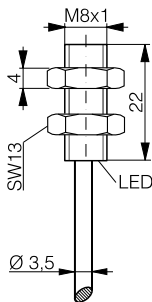


Part references:
(bold: preferred types)

NPN N.O.	DW-AD-421-M8	
NPN N.C.	DW-AD-422-M8	
PNP N.O.	DW-AD-423-M8	
PNP N.C.	DW-AD-424-M8	
NAMUR		DW-AD-425-M8
AC/DC 2-wire N.O.		
AC/DC 2-wire N.C.		
Compatible connectors ⁴⁾		

*damped / non-damped

Size	M8		
Operating distance mm	1.5	1.5	1.5
Housing material	Stainless steel V2A	Stainless steel V2A	Stainless steel V2A
Connection ¹⁾	PVC cable type 2	PVC cable type 2	PVC cable type 2
Degree of protection	IP 67	IP 67	IP 67
Mounting	Embeddable	Embeddable	Embeddable
Max. switching frequency	5,000 Hz	5,000 Hz	5,000 Hz
Technical data ²⁾	Table 1	Table 1	Table 1
Wiring ³⁾	Diagram 1	Diagram 1	Diagram 1
LED	Built-in	Built-in	Built-in
Supply voltage range	10 ... 30 VDC	10 ... 30 VDC	10 ... 30 VDC
Ambient temperature range	-25 ... +70 °C	-25 ... +70 °C	-25 ... +70 °C
Output current	≤ 200 mA	≤ 200 mA	≤ 200 mA



SERIES 420

M8

1.5

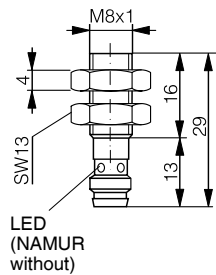
Stainless steel V2A

Connector S8

IP 67

Embeddable

5,000 Hz	10,000 Hz
Table 1	Table 5
Diagram 1	Diagram 4
Built-in	---
10 ... 30 VDC	7.7 ... 9 VDC
-25 ... +70 °C	-25 ... +70 °C
≤ 200 mA	≤ 1 / ≥ 2.2 mA*



DW-AS-421-M8-001

DW-AS-422-M8-001

DW-AS-423-M8-001

DW-AS-424-M8-001

DW-AS-425-M8-001

A ... D

A, B

*damped / non-damped

SERIES 600

M8

1.5

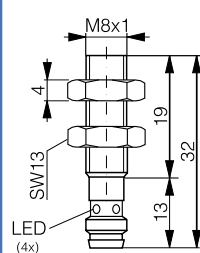
Stainless steel V2A

Connector S8

IP 67

Embeddable

5,000 Hz	5,000 Hz
Table 1	Table 1
Diagram 1	Diagram 1
Built-in	Built-in
10 ... 30 VDC	10 ... 30 VDC
-25 ... +70 °C	-25 ... +70 °C
≤ 200 mA	≤ 200 mA



1.5

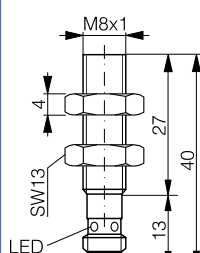
Stainless steel V2A

Connector S8

IP 67

Embeddable

5,000 Hz	5,000 Hz
Table 1	Table 1
Diagram 1	Diagram 1
Built-in	Built-in
10 ... 30 VDC	10 ... 30 VDC
-25 ... +70 °C	-25 ... +70 °C
≤ 200 mA	≤ 200 mA



1.5

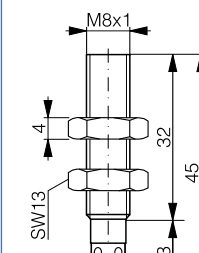
Nickel-plated brass

Connector S8

IP 67

Embeddable

5,000 Hz	5,000 Hz
Table 1	Table 1
Diagram 1	Diagram 1
Built-in	Built-in
10 ... 30 VDC	10 ... 30 VDC
-25 ... +70 °C	-25 ... +70 °C
≤ 200 mA	≤ 200 mA



1.5

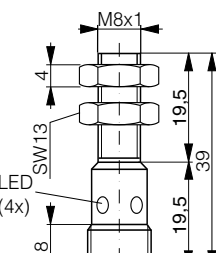
Stainless steel V2A

Connector S12

IP 67

Embeddable

5,000 Hz	5,000 Hz
Table 1	Table 1
Diagram 2	Diagram 2
Built-in	Built-in
10 ... 30 VDC	10 ... 30 VDC
-25 ... +70 °C	-25 ... +70 °C
≤ 200 mA	≤ 200 mA



1.5

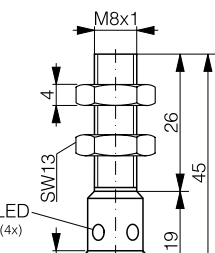
Nickel-plated brass

Connector S12

IP 67

Embeddable

5,000 Hz	5,000 Hz
Table 1	Table 1
Diagram 2	Diagram 2
Built-in	Built-in
10 ... 30 VDC	10 ... 30 VDC
-25 ... +70 °C	-25 ... +70 °C
≤ 200 mA	≤ 200 mA



DW-AS-601-M8-123

DW-AS-601-M8-124

DW-AS-601-M8-001

DW-AS-601-M8-120

DW-AS-601-M8

DW-AS-602-M8-123

DW-AS-602-M8-124

DW-AS-602-M8-001

DW-AS-602-M8

DW-AS-603-M8-123

DW-AS-603-M8-124

DW-AS-603-M8-001

DW-AS-603-M8-120

DW-AS-603-M8

DW-AS-604-M8-123

DW-AS-604-M8-124

DW-AS-604-M8-001

DW-AS-604-M8

A ... D

A ... D

A ... D





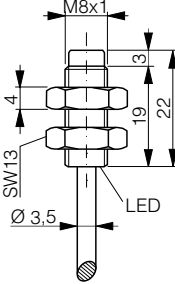
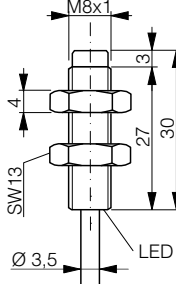
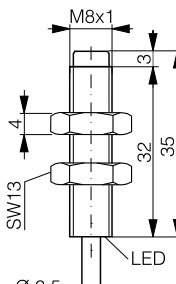
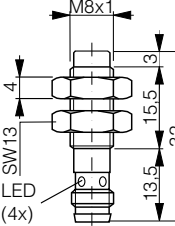
G ... N

G ... N (N.O.); K ... N (N.C.)

1	Inductive proximity switches
2	Photoelectric proximity switches
3	Optical fibers
4	Connecting cables
5	Accessories
6	Glossary
7	Index




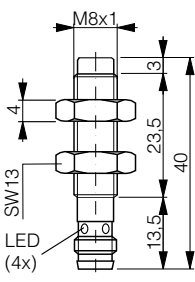
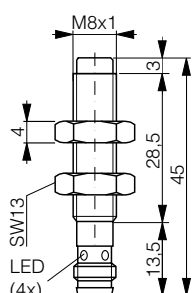
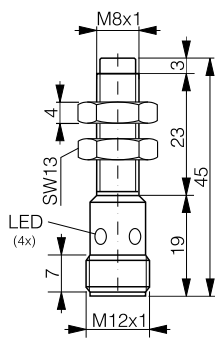
For all these products, you will find detailed data sheets, application notes, dimensional drawings, cross-reference lists, part references, new items, special executions, extensive additional technical information, specifications concerning quality, safety and standards, as well as the addresses of our agents, and much more besides, on our Internet website at www.contrinex.com. The website contents are constantly up-dated and extended.

M8

Size	M8			
Operating distance mm	2.5	2.5	2.5	2.5
Housing material	Stainless steel V2A	Stainless steel V2A	Nickel-plated brass	Stainless steel V2A
Connection ¹⁾	PVC cable type 2	PVC cable type 2	PVC cable type 2	Connector S8
Degree of protection	IP 67	IP 67	IP 67	IP 67
Mounting	Non-embeddable	Non-embeddable	Non-embeddable	Non-embeddable
Max. switching frequency	3,000 Hz	3,000 Hz	3,000 Hz	3,000 Hz
Technical data ²⁾	Table 1	Table 1	Table 1	Table 1
Wiring ³⁾	Diagram 1	Diagram 1	Diagram 1	Diagram 1
LED	Built-in	Built-in	Built-in	Built-in
Supply voltage range	10 ... 30 VDC	10 ... 30 VDC	10 ... 30 VDC	10 ... 30 VDC
Ambient temperature range	-25 ... +70 °C	-25 ... +70 °C	-25 ... +70 °C	-25 ... +70 °C
Output current	≤ 200 mA	≤ 200 mA	≤ 200 mA	≤ 200 mA
¹⁾ Standard cable length 2 m. Non-standard cable lengths and types on request. ²⁾ see page 68 ³⁾ see page 69 ⁴⁾ see page 112				
Dimensions:				
Part references: (bold: preferred types)				
NPN N.O.	DW-AD-611-M8-121	DW-AD-611-M8-122	DW-AD-611-M8	DW-AS-611-M8-123
NPN N.C.	DW-AD-612-M8-121	DW-AD-612-M8-122	DW-AD-612-M8	DW-AS-612-M8-123
PNP N.O.	DW-AD-613-M8-121	DW-AD-613-M8-122	DW-AD-613-M8	DW-AS-613-M8-123
PNP N.C.	DW-AD-614-M8-121	DW-AD-614-M8-122	DW-AD-614-M8	DW-AS-614-M8-123
NAMUR				
AC/DC 2-wire N.O.				
AC/DC 2-wire N.C.				
Compatible connectors ⁴⁾				A ... D

SERIES 600





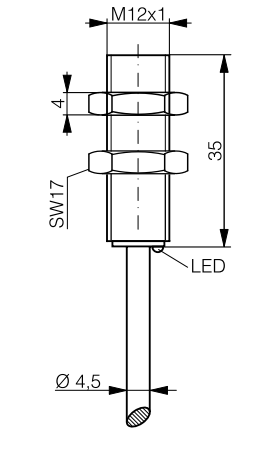
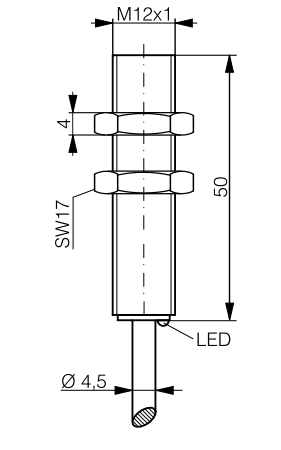
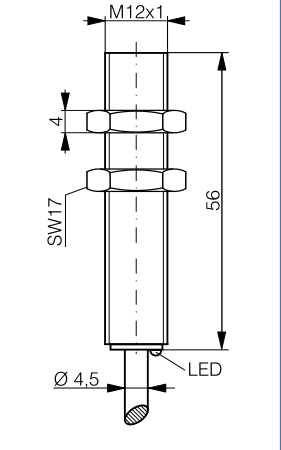
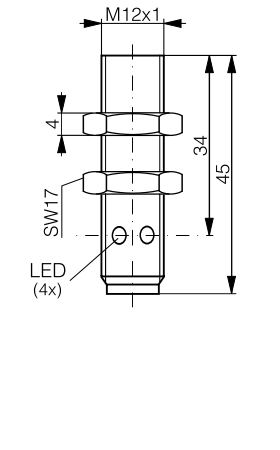
M8

2.5	2.5	2.5		
Stainless steel V2A	Nickel-plated brass	Nickel-plated brass		
Connector S8	Connector S8	Connector S12		
IP 67	IP 67	IP 67		
Non-embeddable	Non-embeddable	Non-embeddable		
3,000 Hz	3,000 Hz	3,000 Hz		
Table 1	Table 1	Table 1		
Diagram 1	Diagram 1	Diagram 2		
Built-in	Built-in	Built-in		
10 ... 30 VDC	10 ... 30 VDC	10 ... 30 VDC		
-25 ... +70 °C	-25 ... +70 °C	-25 ... +70 °C		
≤ 200 mA	≤ 200 mA	≤ 200 mA		
				
				
DW-AS-611-M8-124	DW-AS-611-M8-001	DW-AS-611-M8		
DW-AS-612-M8-124	DW-AS-612-M8-001	DW-AS-612-M8		
DW-AS-613-M8-124	DW-AS-613-M8-001	DW-AS-613-M8		
DW-AS-614-M8-124	DW-AS-614-M8-001	DW-AS-614-M8		
A ... D	A ... D	G ... N (N.O.); K ... N (N.C.)		

1 Inductive proximity switches
2 Photoelectric proximity switches
3 Optical fibers
4 Connecting cables
5 Accessories
6 Glossary
7 Index

For all these products, you will find detailed data sheets, application notes, dimensional drawings, cross-reference lists, part references, new items, special executions, extensive additional technical information, specifications concerning quality, safety and standards, as well as the addresses of our agents, and much more besides, on our Internet website at www.contrinex.com. The website contents are constantly up-dated and extended.

M12

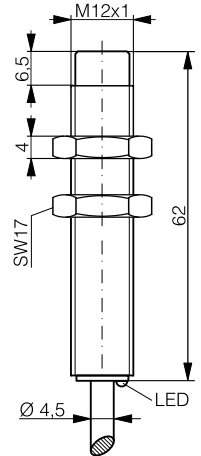
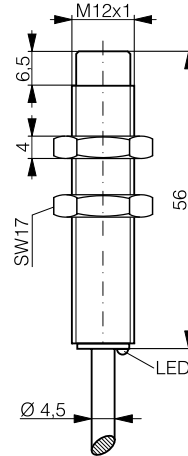
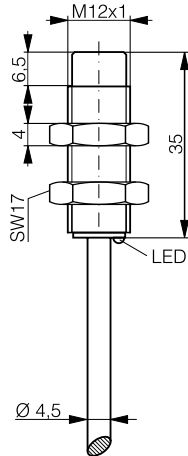
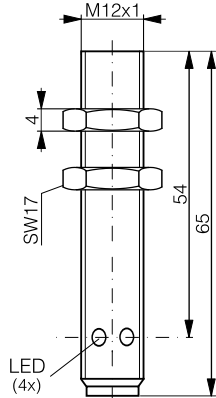
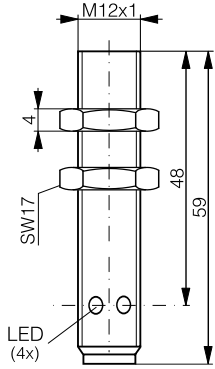
Size	M12			
Operating distance mm	2	2	2	2
Housing material	Nickel-plated brass	Nickel-plated brass	Nickel-plated brass	Nickel-plated brass
Connection ¹⁾	PUR cable type 5	PUR cable type 5	PUR cable type 5	Connector S12
Degree of protection	IP 67	IP 67	IP 67	IP 67
Mounting	Embeddable	Embeddable	Embeddable	Embeddable
Max. switching frequency	1,200 Hz	1,200 Hz	25 Hz (AC) / 1,200 Hz (DC)	1,200 Hz
Technical data ²⁾	Table 2	Table 2	Table 4	Table 2
Wiring ³⁾	Diagram 2	Diagram 2	Diagram 3	Diagram 2
LED	Built-in	Built-in	Built-in	Built-in
Supply voltage range	15 ... 34 VDC	15 ... 34 VDC	20 ... 265 VAC / 20 ... 320 VDC	15 ... 34 VDC
Ambient temperature range	-25 ... +85 °C	-25 ... +85 °C	-25 ... +85 °C	-25 ... +85 °C
Output current	≤ 200 mA / ≤ 150 mA*	≤ 200 mA / ≤ 150 mA*	≤ 200 mA	≤ 200 mA / ≤ 150 mA*
¹⁾ Standard cable length 2 m. Non-standard cable lengths and types on request. ²⁾ see page 68 ³⁾ see page 69 ⁴⁾ see page 112				
Dimensions:				
Part references: (bold: preferred types)				
NPN N.O.	DW-AD-601-M12-120	DW-AD-601-M12		DW-AS-601-M12-120
NPN N.C.	DW-AD-602-M12-120	DW-AD-602-M12		DW-AS-602-M12-120
PNP N.O.	DW-AD-603-M12-120	DW-AD-603-M12		DW-AS-603-M12-120
PNP N.C.	DW-AD-604-M12-120	DW-AD-604-M12		DW-AS-604-M12-120
NAMUR				
AC/DC 2-wire N.O.			DW-AD-607-M12	
AC/DC 2-wire N.C.			DW-AD-608-M12	
Compatible connectors ⁴⁾				G ... N (N.O.); K ... N (N.C.)

*50 °C / 85 °C

SERIES 600

M12

2	2	4	4	4
Nickel-plated brass	Nickel-plated brass	Nickel-plated brass	Nickel-plated brass	Nickel-plated brass
Connector S12	Connector S12	PUR cable type 5	PUR cable type 5	PUR cable type 5
IP 67	IP 67	IP 67	IP 67	IP 67
Embeddable	Embeddable	Non-embeddable	Non-embeddable	Non-embeddable
1,200 Hz	25 Hz (AC) / 1,200 Hz (DC)	800 Hz	800 Hz	25 Hz (AC) / 900 Hz (DC)
Table 2	Table 4	Table 2	Table 2	Table 4
Diagram 2	Diagram 3	Diagram 2	Diagram 2	Diagram 3
Built-in	Built-in	Built-in	Built-in	Built-in
15 ... 34 VDC	20 ... 265 VAC / 20 ... 320 VDC	15 ... 34 VDC	15 ... 34 VDC	20 ... 265 VAC / 20 ... 320 VDC
-25 ... +85 °C	-25 ... +85 °C	-25 ... +85 °C	-25 ... +85 °C	-25 ... +85 °C
≤ 200 mA / ≤ 150 mA*	≤ 200 mA	≤ 200 mA / ≤ 150 mA*	≤ 200 mA / ≤ 150 mA*	≤ 200 mA



DW-AS-601-M12

DW-AS-602-M12

DW-AS-603-M12

DW-AS-604-M12

DW-AD-611-M12-120

DW-AD-612-M12-120

DW-AD-613-M12-120

DW-AD-614-M12-120

DW-AD-611-M12

DW-AD-612-M12

DW-AD-613-M12

DW-AD-614-M12

DW-AS-607-M12

DW-AS-608-M12

DW-AD-617-M12

DW-AD-618-M12

G ... N (N.O.); K ... N (N.C.)

M, N

*50 °C / 85 °C

For all these products, you will find detailed data sheets, application notes, dimensional drawings, cross-reference lists, part references, new items, special executions, extensive additional technical information, specifications concerning quality, safety and standards, as well as the addresses of our agents, and much more besides, on our Internet website at www.contrinex.com. The website contents are constantly up-dated and extended.

M12

Size	M12		
Operating distance mm	4	4	4
Housing material	Nickel-plated brass	Nickel-plated brass	Nickel-plated brass
Connection ¹⁾	Connector S12	Connector S12	Connector S12
Degree of protection	IP 67	IP 67	IP 67
Mounting	Non-embeddable	Non-embeddable	Non-embeddable
Max. switching frequency	800 Hz	800 Hz	25 Hz (AC) / 900 Hz (DC)
Technical data ²⁾	Table 2	Table 2	Table 4
Wiring ³⁾	Diagram 2	Diagram 2	Diagram 3
LED	Built-in	Built-in	Built-in
Supply voltage range	15 ... 34 VDC	15 ... 34 VDC	20 ... 265 VAC / 20 ... 320 VDC
Ambient temperature range	-25 ... +85 °C	-25 ... +85 °C	-25 ... +85 °C
Output current	≤ 200 mA / ≤ 150 mA*	≤ 200 mA / ≤ 150 mA*	≤ 200 mA

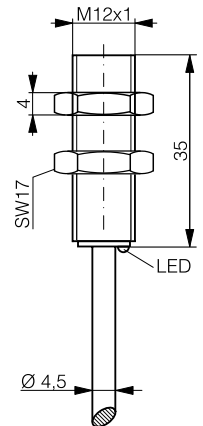
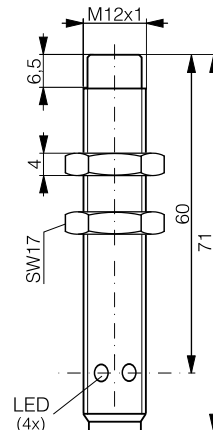
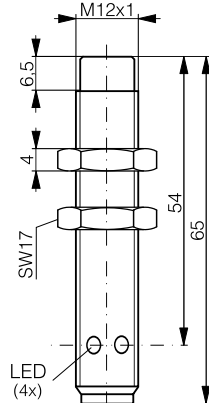
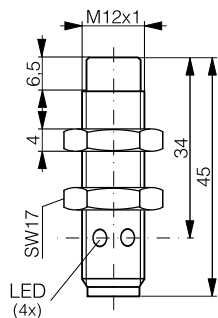
4
Nickel-plated brass
PUR cable type 5
IP 67
Embeddable
800 Hz
Table 2
Diagram 2
Built-in
15 ... 34 VDC
-25 ... +85 °C
≤ 200 mA / ≤ 150 mA*

- ¹⁾ Standard cable length 2 m.
Non-standard cable lengths
and types on request.
²⁾ see page 68
³⁾ see page 69
⁴⁾ see page 112



increased distance

Dimensions:



Part references:



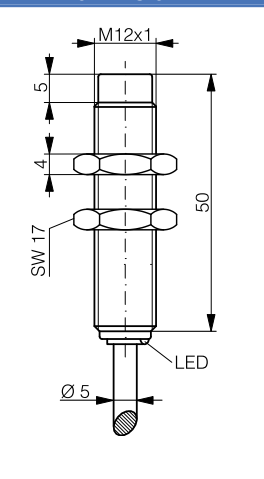
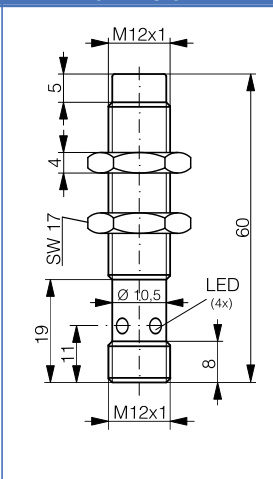
(**bold**: preferred types)



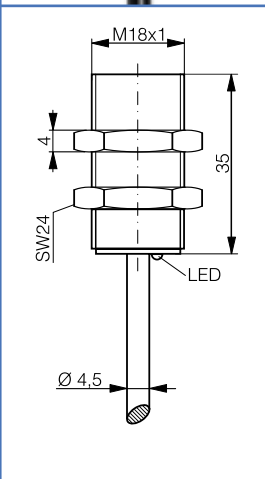
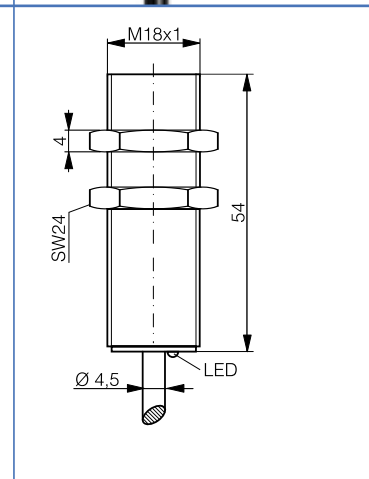
NPN N.O.	DW-AS-611-M12-120	DW-AS-611-M12	
NPN N.C.	DW-AS-612-M12-120	DW-AS-612-M12	
PNP N.O.	DW-AS-613-M12-120	DW-AS-613-M12	
PNP N.C.	DW-AS-614-M12-120	DW-AS-614-M12	
NAMUR			
AC/DC 2-wire N.O.			DW-AS-617-M12
AC/DC 2-wire N.C.			DW-AS-618-M12
Compatible connectors ⁴⁾	G ... N (N.O.); K ... N (N.C.)	G ... N (N.O.); K ... N (N.C.)	M, N

*50 °C / 85 °C

**
**
DW-AD-623-M12-120
**

** on request

Size	M12	
Operating distance mm	10	10
Housing material	Stainless steel V2A	Stainless steel V2A
Connection ¹⁾	PUR cable type 11	Connector S12
Degree of protection	IP 68	IP 67
Mounting	Non-embeddable	Non-embeddable
Max. switching frequency	400 Hz	400 Hz
Technical data ²⁾	Table 1	Table 1
Wiring ³⁾	Diagram 1	Diagram 2
LED	Built-in	Built-in
Supply voltage range	10 ... 30 VDC	10 ... 30 VDC
Ambient temperature range	-25 ... +70 °C	-25 ... +70 °C
Output current	≤ 200 mA	≤ 200 mA
¹⁾ Standard cable length 2 m. Non-standard cable lengths and types on request. ²⁾ see page 68 ³⁾ see page 69 ⁴⁾ see page 112		
	all-metal	all-metal
Dimensions:		
Part references: (bold: preferred types)		
NPN N.O.	DW-AD-711-M12	DW-AS-711-M12
NPN N.C.	DW-AD-712-M12	DW-AS-712-M12
PNP N.O.	DW-AD-713-M12	DW-AS-713-M12
PNP N.C.	DW-AD-714-M12	DW-AS-714-M12
NAMUR		
AC/DC 2-wire N.O.		
AC/DC 2-wire N.C.		
Compatible connectors ⁴⁾		G ... N (N.O.); K ... N (N.C.)

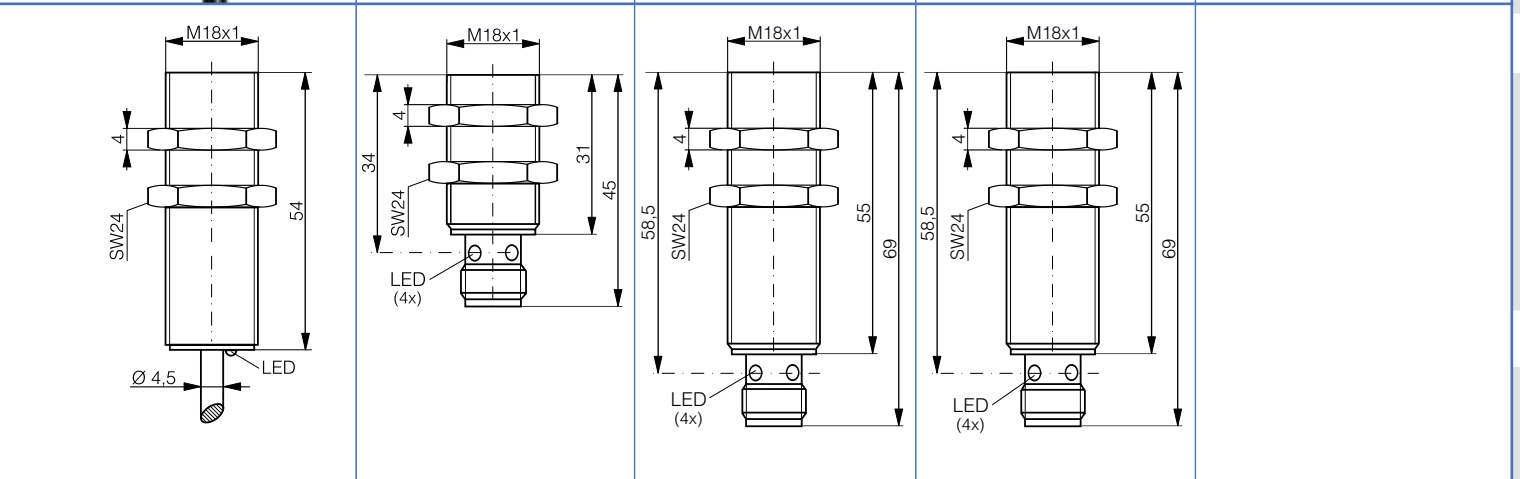
Size	M18	
Operating distance mm	5	5
Housing material	Nickel-plated brass	Nickel-plated brass
Connection ¹⁾	PUR cable type 5	PUR cable type 5
Degree of protection	IP 67	IP 67
Mounting	Embeddable	Embeddable
Max. switching frequency	800 Hz	800 Hz
Technical data ²⁾	Table 2	Table 2
Wiring ³⁾	Diagram 2	Diagram 2
LED	Built-in	Built-in
Supply voltage range	15 ... 34 VDC	15 ... 34 VDC
Ambient temperature range	-25 ... +85 °C	-25 ... +85 °C
Output current	≤ 200 mA / ≤ 150 mA*	≤ 200 mA / ≤ 150 mA*
¹⁾ Standard cable length 2 m. Non-standard cable lengths and types on request. ²⁾ see page 68 ³⁾ see page 69 ⁴⁾ see page 112		
	all-metal	all-metal
Dimensions:		
Part references: (bold: preferred types)		
NPN N.O.	DW-AD-601-M18-120	DW-AD-601-M18
NPN N.C.	DW-AD-602-M18-120	DW-AD-602-M18
PNP N.O.	DW-AD-603-M18-120	DW-AD-603-M18
PNP N.C.	DW-AD-604-M18-120	DW-AD-604-M18
NAMUR		
AC/DC 2-wire N.O.		
AC/DC 2-wire N.C.		
Compatible connectors ⁴⁾		

*50 °C / 85 °C

SERIES 600

M18

5	5	5	5	
Nickel-plated brass	Nickel-plated brass	Nickel-plated brass	Nickel-plated brass	
PUR cable type 5	Connector S12	Connector S12	Connector S12	
IP 67	IP 67	IP 67	IP 67	
Embeddable	Embeddable	Embeddable	Embeddable	
25 Hz (AC) / 490 Hz (DC)	800 Hz	800 Hz	25 Hz (AC) / 490 Hz (DC)	
Table 4	Table 2	Table 2	Table 4	
Diagram 3	Diagram 2	Diagram 2	Diagram 3	
Built-in	Built-in	Built-in	Built-in	
20 ... 265 VAC / 20 ... 320 VDC	15 ... 34 VDC	15 ... 34 VDC	20 ... 265 VAC / 20 ... 320 VDC	
-25 ... +85 °C	-25 ... +85 °C	-25 ... +85 °C	-25 ... +85 °C	
≤ 300 mA	≤ 200 mA / ≤ 150 mA*	≤ 200 mA / ≤ 150 mA*	≤ 300 mA	





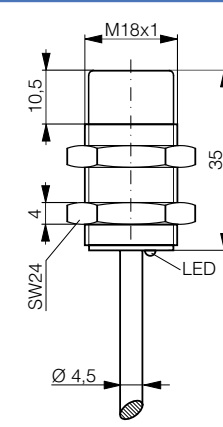
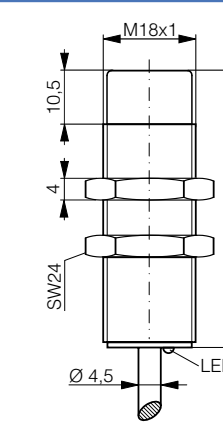
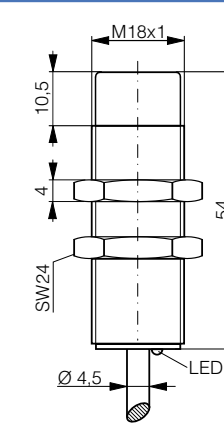
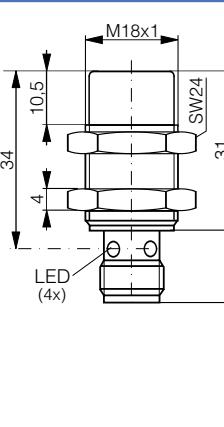


	DW-AS-601-M18-120	DW-AS-601-M18-002	
	DW-AS-602-M18-120	DW-AS-602-M18-002	
	DW-AS-603-M18-120	DW-AS-603-M18-002	
	DW-AS-604-M18-120	DW-AS-604-M18-002	
DW-AD-607-M18			DW-AS-607-M18-002
DW-AD-608-M18			DW-AS-608-M18-002
	G ... N (N.O.); K ... N (N.C.)	G ... N (N.O.); K ... N (N.C.)	M, N

*50 °C / 85 °C

For all these products, you will find detailed data sheets, application notes, dimensional drawings, cross-reference lists, part references, new items, special executions, extensive additional technical information, specifications concerning quality, safety and standards, as well as the addresses of our agents, and much more besides, on our Internet website at www.contrinex.com. The website contents are constantly up-dated and extended.

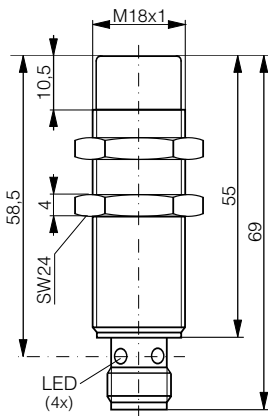
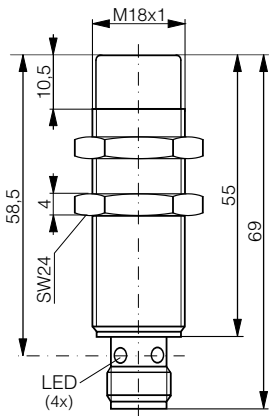
M18

Size				
Operating distance mm	8	8	8	8
Housing material	Nickel-plated brass	Nickel-plated brass	Nickel-plated brass	Nickel-plated brass
Connection ¹⁾	PUR cable type 5	PUR cable type 5	PUR cable type 5	Connector S12
Degree of protection	IP 67	IP 67	IP 67	IP 67
Mounting	Non-embeddable	Non-embeddable	Non-embeddable	Non-embeddable
Max. switching frequency	500 Hz	500 Hz	25 Hz (AC) / 340 Hz (DC)	500 Hz
Technical data ²⁾	Table 2	Table 2	Table 4	Table 2
Wiring ³⁾	Diagram 2	Diagram 2	Diagram 3	Diagram 2
LED	Built-in	Built-in	Built-in	Built-in
Supply voltage range	15 ... 34 VDC	15 ... 34 VDC	20 ... 265 VAC / 20 ... 320 VDC	15 ... 34 VDC
Ambient temperature range	-25 ... +85 °C	-25 ... +85 °C	-25 ... +85 °C	-25 ... +85 °C
Output current	≤ 200 mA / ≤ 150 mA*	≤ 200 mA / ≤ 150 mA*	≤ 300 mA	≤ 200 mA / ≤ 150 mA*
¹⁾ Standard cable length 2 m. Non-standard cable lengths and types on request. ²⁾ see page 68 ³⁾ see page 69 ⁴⁾ see page 112				
Dimensions:				
Part references: (bold: preferred types)				
NPN N.O.	DW-AD-611-M18-120	DW-AD-611-M18		DW-AS-611-M18-120
NPN N.C.	DW-AD-612-M18-120	DW-AD-612-M18		DW-AS-612-M18-120
PNP N.O.	DW-AD-613-M18-120	DW-AD-613-M18		DW-AS-613-M18-120
PNP N.C.	DW-AD-614-M18-120	DW-AD-614-M18		DW-AS-614-M18-120
NAMUR				
AC/DC 2-wire N.O.			DW-AD-617-M18	
AC/DC 2-wire N.C.			DW-AD-618-M18	
Compatible connectors ⁴⁾				G ... N (N.O.); K ... N (N.C.)

*50 °C / 85 °C

M18

8	8
Nickel-plated brass	Nickel-plated brass
Connector S12	Connector S12
IP 67	IP 67
Non-embeddable	Non-embeddable
500 Hz	25 Hz (AC) / 340 Hz (DC)
Table 2	Table 4
Diagram 2	Diagram 3
Built-in	Built-in
15 ... 34 VDC	20 ... 265 VAC / 20 ... 320 VDC
-25 ... +85 °C	-25 ... +85 °C
≤ 200 mA / ≤ 150 mA*	≤ 300 mA



DW-AS-611-M18-002

DW-AS-612-M18-002

DW-AS-613-M18-002

DW-AS-614-M18-002

DW-AS-617-M18-002

DW-AS-618-M18-002

G ... N (N.O.); K ... N (N.C.)

M, N

*50 °C / 85 °C

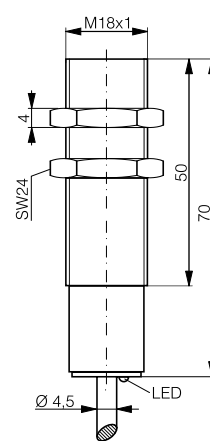
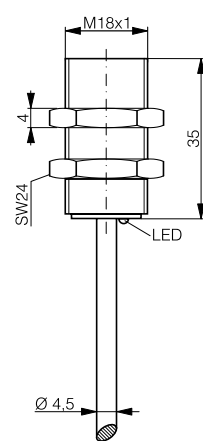
M18

8	8
Nickel-plated brass	Nickel-plated brass
PUR cable type 5	PUR cable type 5
IP 67	IP 67
Quasi-embeddable	Quasi-embeddable
500 Hz	500 Hz
Table 2	Table 2
Diagram 2	Diagram 2
Built-in	Built-in
15 ... 34 VDC	15 ... 34 VDC
-25 ... +85 °C	-25 ... +85 °C
≤ 200 mA / ≤ 150 mA*	≤ 200 mA / ≤ 150 mA*



increased distance

increased distance



**

**

**

**

DW-AD-623-M18-120

DW-AD-623-M18





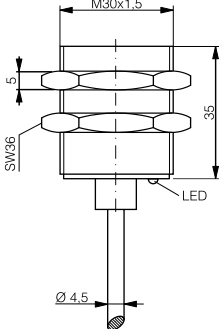
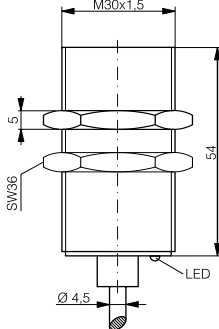
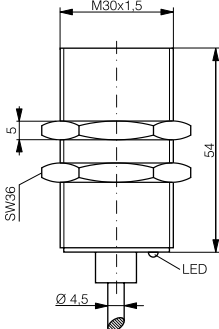
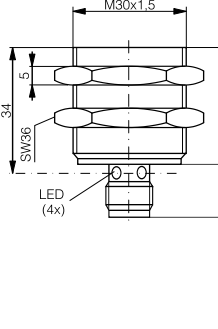
**

**

** on request

For all these products, you will find detailed data sheets, application notes, dimensional drawings, cross-reference lists, part references, new items, special executions, extensive additional technical information, specifications concerning quality, safety and standards, as well as the addresses of our agents, and much more besides, on our Internet website at www.contrinex.com. The website contents are constantly up-dated and extended.

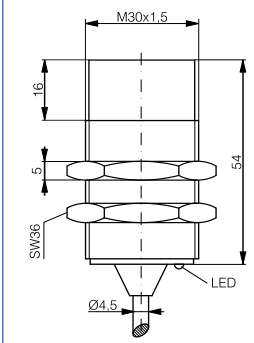
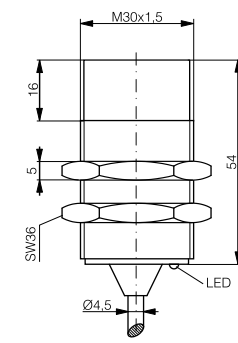
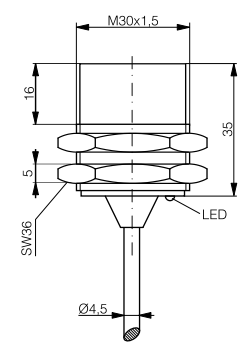
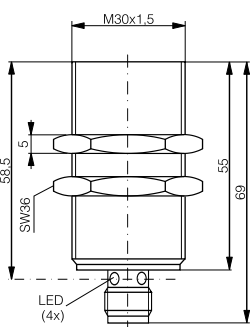
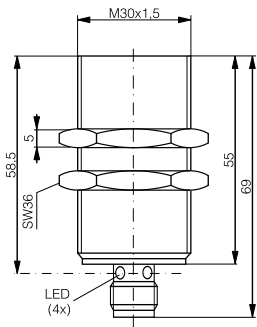
M30

Size				
Operating distance mm	10	10	10	10
Housing material	Nickel-plated brass	Nickel-plated brass	Nickel-plated brass	Nickel-plated brass
Connection ¹⁾	PUR cable type 5	PUR cable type 5	PUR cable type 5	Connector S12
Degree of protection	IP 67	IP 67	IP 67	IP 67
Mounting	Embeddable	Embeddable	Embeddable	Embeddable
Max. switching frequency	300 Hz	300 Hz	25 Hz (AC) / 200 Hz (DC)	300 Hz
Technical data ²⁾	Table 2	Table 2	Table 4	Table 2
Wiring ³⁾	Diagram 2	Diagram 2	Diagram 3	Diagram 2
LED	Built-in	Built-in	Built-in	Built-in
Supply voltage range	15 ... 34 VDC	15 ... 34 VDC	20 ... 265 VAC / 20 ... 320 VDC	15 ... 34 VDC
Ambient temperature range	-25 ... +85 °C	-25 ... +85 °C	-25 ... +85 °C	-25 ... +85 °C
Output current	≤ 200 mA / ≤ 150 mA*	≤ 200 mA / ≤ 150 mA*	≤ 300 mA	≤ 200 mA / ≤ 150 mA*
¹⁾ Standard cable length 2 m. Non-standard cable lengths and types on request. ²⁾ see page 68 ³⁾ see page 69 ⁴⁾ see page 112				
Dimensions:				
Part references: (bold : preferred types)				
NPN N.O.	DW-AD-601-M30-120	DW-AD-601-M30		DW-AS-601-M30-120
NPN N.C.	DW-AD-602-M30-120	DW-AD-602-M30		DW-AS-602-M30-120
PNP N.O.	DW-AD-603-M30-120	DW-AD-603-M30		DW-AS-603-M30-120
PNP N.C.	DW-AD-604-M30-120	DW-AD-604-M30		DW-AS-604-M30-120
NAMUR				
AC/DC 2-wire N.O.			DW-AD-607-M30	
AC/DC 2-wire N.C.			DW-AD-608-M30	
Compatible connectors ⁴⁾				G ... N (N.O.); K ... N (N.C.)

*50 °C / 85 °C

M30

10	10	15	15	15
Nickel-plated brass	Nickel-plated brass	Nickel-plated brass	Nickel-plated brass	Nickel-plated brass
Connector S12	Connector S12	PUR cable type 5	PUR cable type 5	PUR cable type 5
IP 67	IP 67	IP 67	IP 67	IP 67
Embeddable	Embeddable	Non-embeddable	Non-embeddable	Non-embeddable
300 Hz	25 Hz (AC) / 200 Hz (DC)	300 Hz	300 Hz	25 Hz (AC) / 220 Hz (DC)
Table 2	Table 4	Table 2	Table 2	Table 4
Diagram 2	Diagram 3	Diagram 2	Diagram 2	Diagram 3
Built-in	Built-in	Built-in	Built-in	Built-in
15 ... 34 VDC	20 ... 265 VAC / 20 ... 320 VDC	15 ... 34 VDC	15 ... 34 VDC	20 ... 265 VAC / 20 ... 320 VDC
-25 ... +85 °C	-25 ... +85 °C	-25 ... +85 °C	-25 ... +85 °C	-25 ... +85 °C
≤ 200 mA / ≤ 150 mA*	≤ 300 mA	≤ 200 mA / ≤ 150 mA*	≤ 200 mA / ≤ 150 mA*	≤ 300 mA



DW-AS-601-M30-002		DW-AD-611-M30-120	DW-AD-611-M30	
DW-AS-602-M30-002		DW-AD-612-M30-120	DW-AD-612-M30	
DW-AS-603-M30-002		DW-AD-613-M30-120	DW-AD-613-M30	
DW-AS-604-M30-002		DW-AD-614-M30-120	DW-AD-614-M30	
	DW-AS-607-M30-002			DW-AD-617-M30
	DW-AS-608-M30-002			DW-AD-618-M30
G ... N (N.O.); K ... N (N.C.)	M, N			

*50 °C / 85 °C

For all these products, you will find detailed data sheets, application notes, dimensional drawings, cross-reference lists, part references, new items, special executions, extensive additional technical information, specifications concerning quality, safety and standards, as well as the addresses of our agents, and much more besides, on our Internet website at www.contrinex.com. The website contents are constantly up-dated and extended.

M30

M30

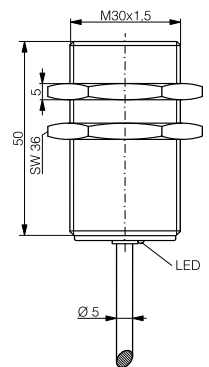
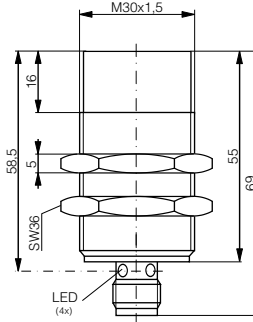
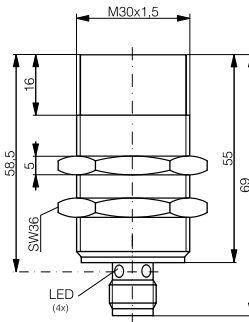
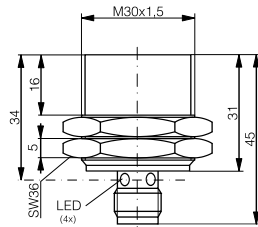
Size	M30			M30
Operating distance mm	15	15	15	20
Housing material	Nickel-plated brass	Nickel-plated brass	Nickel-plated brass	Stainless steel V2A
Connection ¹⁾	Connector S12	Connector S12	Connector S12	PUR cable type 11
Degree of protection	IP 67	IP 67	IP 67	IP 68
Mounting	Non-embeddable	Non-embeddable	Non-embeddable	Embeddable
Max. switching frequency	300 Hz	300 Hz	25 Hz (AC) / 220 Hz (DC)	100 Hz
Technical data ²⁾	Table 2	Table 2	Table 4	Table 1
Wiring ³⁾	Diagram 2	Diagram 2	Diagram 3	Diagram 1
LED	Built-in	Built-in	Built-in	Built-in
Supply voltage range	15 ... 34 VDC	15 ... 34 VDC	20 ... 265 VAC / 20 ... 320 VDC	10 ... 30 VDC
Ambient temperature range	-25 ... +85 °C	-25 ... +85 °C	-25 ... +85 °C	-25 ... +70 °C
Output current	≤ 200 mA / ≤ 150 mA*	≤ 200 mA / ≤ 150 mA*	≤ 300 mA	≤ 200 mA

- ¹⁾ Standard cable length 2 m.
Non-standard cable lengths and types on request.
²⁾ see page 68
³⁾ see page 69
⁴⁾ see page 112



all-metal

Dimensions:



Part references:

(**bold**: preferred types)

NPN N.O.	DW-AS-611-M30-120	DW-AS-611-M30-002	
NPN N.C.	DW-AS-612-M30-120	DW-AS-612-M30-002	
PNP N.O.	DW-AS-613-M30-120	DW-AS-613-M30-002	
PNP N.C.	DW-AS-614-M30-120	DW-AS-614-M30-002	
NAMUR			
AC/DC 2-wire N.O.			DW-AS-617-M30-002
AC/DC 2-wire N.C.			DW-AS-618-M30-002
Compatible connectors ⁴⁾	G ... N (N.O.); K ... N (N.C.)	G ... N (N.O.); K ... N (N.C.)	M, N

DW-AD-701-M30
DW-AD-702-M30
DW-AD-703-M30
DW-AD-704-M30

*50 °C / 85 °C

Technical data

	Table 1	Table 2	Table 3	Table 4	Table 5
Permissible ripple content	≤ 20%	≤ 20%	≤ 20%	---	≤ 20%
No-load supply current	≤ 10 mA	≤ 17 mA (24 V) / ≤ 30 mA (34 V)	≤ 20 mA	≤ 1.5 mA	---
Leakage current at output	≤ 0.1 mA	≤ 0.1 mA	≤ 0.1 mA	---	---
Voltage drop, switched state	≤ 2.0 V	≤ 2.5 V	≤ 2.5 V	≤ 8 V	---
Temperature drift % s_r	≤ 10 %	≤ 10 %	≤ 10 %	≤ 10 %	≤ 10 %
Hysteresis % s_r	1 ... 15% (5% typ.)	≤ 20 %	≤ 20 %	≤ 20 %	---
Repeat accuracy	≤ 5% s_r	≤ 5% s_r	≤ 5% s_r	≤ 5% s_r	≤ 5% s_r
(according to IEC 60947-5-2)					
Short-circuit protection	built-in	built-in	built-in	---	built-in
Polarity reversal protection	built-in	built-in	built-in	built-in	---
Power-on reset	built-in	built-in	built-in	built-in	---

	Table 6	Table 7	Table 8	Table 9	Table 10
Permissible ripple content	≤ 20%	≤ 20%	≤ 20%	≤ 10%	---
No-load supply current	≤ 10 mA	≤ 10 mA	≤ 10 mA	30 mA (24 VDC) 40 mA (34 VDC)	typ 1.5 mA (24 V) ≤ 2.0 mA (U_{max})
Output voltage, damped	---	0 VDC	---	---	---
Output voltage, non-damped	---	5 VDC	---	---	---
Leakage current at output	≤ 0.1 mA	---	≤ 0.1 mA	0.01 mA	< 2.0 mA
Voltage drop, switched state	≤ 2.0 V	---	≤ 2.0 V	≤ 2.5 V	≤ 8 V
Temperature drift % s_r	≤ 10 %	≤ 5 % (0...+70 °C) / ≤ 10 % (-25...0 °C)	≤ 10 %	≤ 10 %	≤ 10 %
Hysteresis % s_r	1 ... 15% (5% typ.)	---	1 ... 15% (5% typ.)	1 ... 15%	1 ... 15%
Repeat accuracy	≤ 5% s_r	---	≤ 5% s_r	≤ 5% s_r	≤ 5% s_r
(according to IEC 60947-5-2)					
Short-circuit protection	built-in	built-in	built-in	built-in	---
Polarity reversal protection	built-in	built-in	built-in	built-in	---
Power-on reset	built-in	built-in	built-in	built-in	built-in

Further data can be obtained from individual data sheets, which may be retrieved from the CONTRINEX website (www.contrinex.com), or ordered from our sales offices.

Wiring diagrams

