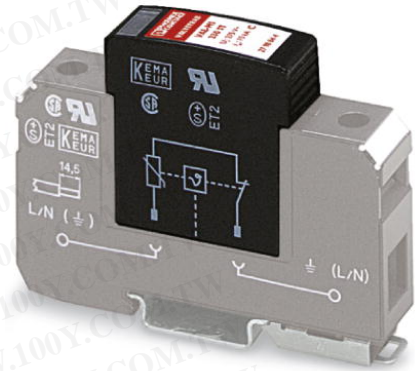


**VAL-MS 230 ST**

Order No.: 2798844



<http://eshop.phoenixcontact.de/phoenix/treeViewClick.do?UID=2798844>

Surge protection connector type 2 with high-capacity varistor for VAL-MS base element, thermal monitoring, visual fault warning. Design: 230 V AC



Commercial data	
GTIN (EAN)	4017918073947
sales group	J022
Pack	10 pcs.
Customs tariff	85363010
Weight/Piece	0.04242 KG
Catalog page information	Page 30 (TT-2009)

## Product notes

WEEE/RoHS-compliant since:  
06/27/2006



<http://www.download.phoenixcontact.com>  
Please note that the data given here has been taken from the online catalog. For comprehensive information and data, please refer to the user documentation. The General Terms and Conditions of Use apply to Internet downloads.

Technical data	
<b>Standards</b>	
Housing material	PA
Inflammability class acc. to UL 94	V0
Color	black

勝特力材料 886-3-5753170  
勝特力电子(上海) 86-21-34970699  
勝特力电子(深圳) 86-755-83298787  
[Http://www.100y.com.tw](http://www.100y.com.tw)

Standards for air and creepage distances	DIN VDE 0110-1 IEC 60664-1: 1992-10 VDE 0675-6
Degree of protection	IP20
Mounting type	On base element
Design	DIN rail module, two-section, divisible
Number of positions	1
Ambient temperature (operation)	-40 °C ... 80 °C
Arrester can be tested with CHECKMASTER from software version:	From SW rev. 1.10
Message surge protection faulty	Optical
Direction of action	1L-N/PE
Width	17.70 mm
Height	54.50 mm
Length	52.40 mm
Pitch unit	1 Div.
<b>Protective circuit</b>	
IEC category	II T2
EN type	T2
Nominal voltage $U_N$	230 V AC
Arrester rated voltage $U_C$	275 V AC 350 V DC
Nominal frequency $f_N$	50 Hz (60 Hz)
Discharge current to PE at $U_C$	$\leq 0.3$ mA
Standby power consumption $P_C$	$\leq 125$ mVA
Max. discharge surge current $I_{max}$ (8/20) $\mu$ s	40 kA
Nominal discharge surge current $I_n$ (8/20) $\mu$ s	20 kA
Lightning test current (10/350) $\mu$ s, peak value $I_{imp}$	3 kA
Max. energy absorption (2 ms)	550 J
Protection level $U_p$	$\leq 1.35$ kV
Residual voltage	$\leq 1$ kV (at 5 kA) $\leq 1.15$ kV (at 10 kA) $\leq 1.35$ kV (at $I_n$ ) $\leq 950$ V (at 3 kA)

勝特力材料 886-3-5753170  
 勝特力电子(上海) 86-21-34970699  
 勝特力电子(深圳) 86-755-83298787  
[Http://www.100y.com.tw](http://www.100y.com.tw)

Response time	≤ 25 ns
Max. required backup fuse with branch wiring	125 A (gL)
Short circuit resistance I <sub>CC</sub> with max. backup fuse (effective)	25 kA
Capacity	3 nF

#### Connection, protective circuit

Type of connection	FLASHTRAB/VALVETRAB plug-in system connector
--------------------	--

#### Environmental conditions

Standards/regulations	IEC 61643-1
	UL 1449
	EN 61643-11/A11

#### Certificates / Approvals



Certification

CB, CCA, CSA, CUL, GOST, KEMA, OEVE, UL

#### CSA

Nominal voltage U <sub>N</sub>	230 V
--------------------------------	-------

#### CUL

Nominal voltage U <sub>N</sub>	230 V
--------------------------------	-------

#### UL

Nominal voltage U <sub>N</sub>	230 V
--------------------------------	-------

#### Accessories

Item	Designation	Description
<b>Marking</b>		
1051993	B-STIFT	Marker pen, for manual labeling of unprinted Zack strips, smear-proof and waterproof, line thickness 0.5 mm
2749589	ZBN 18,LGS:ERDE	Marking labels, printed horizontally, strips with 5 labels, GND (grounding symbol), color: White
2749576	ZBN 18,LGS:L1-N,ERDE	Marker labels, printed horizontally, strips with 5 labels, L1, L2, L3, N, GND, color: white

勝特力材料 886-3-5753170  
 勝特力电子(上海) 86-21-34970699  
 勝特力电子(深圳) 86-755-83298787  
[Http://www.100y.com.tw](http://www.100y.com.tw)

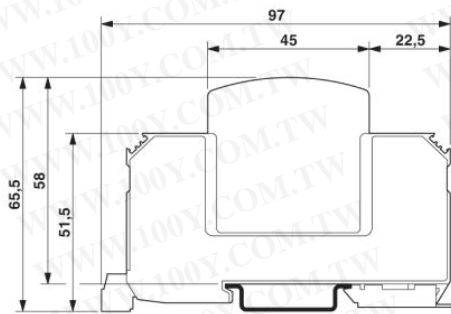
0800763	ZBN 18:SO/CMS	Marker labels, 5-section, special printing, labeled according to customer requirements (Please specify the required marking with order), for terminal width: 17.5 mm, color: White
2809128	ZBN 18:UNBEDRUCKT	Unprinted marker labels, strips with 5 labels for individual labeling with M-PEN or CMS system, for terminal block width: 17.5 mm, color: White

### Additional products

Item	Designation	Description
<b>General</b>		
2817741	VAL-MS BE	Base element for type 2 arresters of the VALVETRAB MS series of products. Design: 1-channel
2817738	VAL-MS BE/FM	Base element for type 2 arresters of the VALVETRAB MS series of products, with remote indication contact. Design: 1-channel

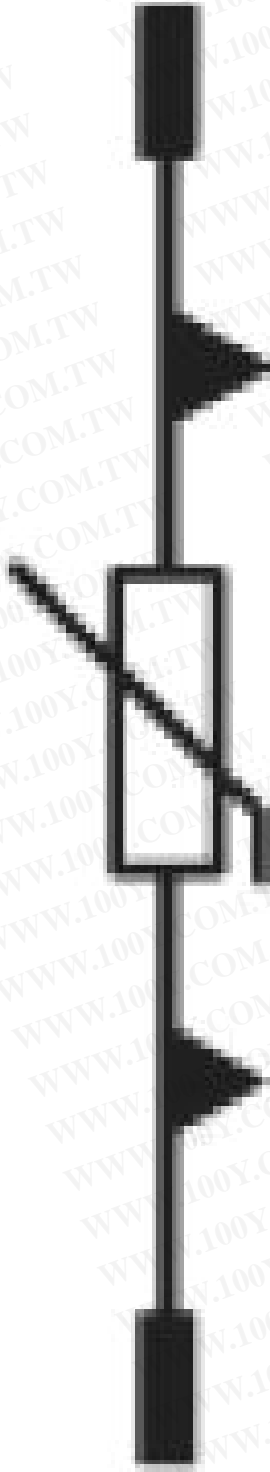
### Diagrams/Drawings

Dimensioned drawing



勝特力材料 886-3-5753170  
 勝特力电子(上海) 86-21-34970699  
 勝特力电子(深圳) 86-755-83298787  
[Http://www.100y.com.tw](http://www.100y.com.tw)

Circuit diagram



勝特力材料 886-3-5753170  
勝特力电子(上海) 86-21-34970699  
勝特力电子(深圳) 86-755-83298787  
[Http://www.100y.com.tw](http://www.100y.com.tw)