

HMIZKB1

USB keyboard - 12 function - keys with LEDs
integrated - alphanumeric input



Main

Range of product	Magelis HMIZ
Product or component type	Keyboard
Product compatibility	HMISTO HMISTU HMIGTO HMIGXO HMISCU
Device application	Food and beverage Industrial machines
Provided equipment	1 replaceable label for function keys 1 fixing nut 1 USB type mini-B cable clamp 1 USB cable type A/mini-B of 1.8 m 1 anti-rotation tee 1 tightening wrench 1 user manual

Complementary

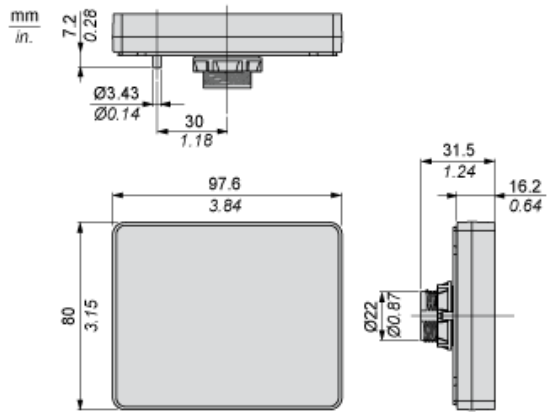
Software designation	Vijeo Designer version >= V6.2
Connector type	Mini B USB
Number of key	20
Number of customisable keys	12 with integrated LEDs
Colour of cover	Front dark grey cover
[Us] rated supply voltage	5 V DC, connector type: USB 2.0
Supply voltage limits	4.75...5.25 V DC
Power consumption	0.75 W
Shock resistance	147 m/s ² (3 chocks in each direction X, Y and Z) conforming to IEC 61131-2
Electromagnetic compatibility	Electrical fast transient/burst immunity test - test level 1 kV (signal ports) conforming to IEC 61000-4-4 Electrical fast transient/burst immunity test - test level 2 kV (power ports) conforming to IEC 61000-4-4 Electrostatic discharge immunity test - test level 6 kV (contact discharge) conforming to IEC 61000-4-2 Electrostatic discharge immunity test - test level 8 kV (air discharge) conforming to IEC 61000-4-2
Mounting location	Flat surface
Quantity per set	1 piece
Height	80 mm
Width	97.6 mm
Depth	31.5 mm
Product weight	0.15 kg

Environment

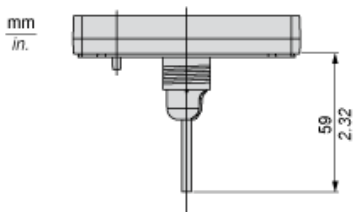
Ambient air temperature for storage	-20...60 °C
Ambient air temperature for operation	0...55 °C
Relative humidity	10...90 % at 0...39 °C (non-condensing)
Pollution degree	2
Environmental characteristic	Corrosive gas free
Operating altitude	<= 2000 m
Vibration resistance	3.5 mm (f=5...9 Hz) conforming to IEC 61131-2
IP degree of protection	IP65 front panel (in enclosure)

NEMA degree of protection	NEMA 4X for enclosed outdoor NEMA 4X for indoor installation
Standards	CSA C22.2 No 142 EN 61000-6-2 EN 61000-6-4 ROHS directive 2002/95/EC UL 508 EMC 2004/108/EC WEEE directive 2002/96/EC CSA C22.2 No 213 RoHS China SJ/T 11363-2006 ANSI/ISA 12.12.01
Product certifications	CE UL/CUL listed RCM EAC
Level or class	Class I Division 2 Groups A/B/C/D

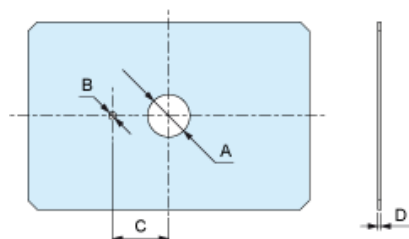
Dimensions



Dimensions with Cables



Mounting of Panel Cut-Out



Dimensions in mm

A	B	C	D
22.50 _{-0.30}	4 _{-0.20}	30 _{-0.20}	1.5...6

Dimensions in in.

A	B	C	D
0.88 _{-0.01}	0.15 _{-0.007}	1.18 _{-0.007}	0.06...0.23