

Autonics

**ANALOG TIMER
AT11DN/AT11EN**

M A N U A L



Thank you very much for selecting Autonics products.
For your safety, please read the following before using.

■ Caution for your safety

※Please keep these instructions and review them before using this unit.

※Please observe the cautions that follow:

⚠ Warning Serious injury may result if instructions are not followed.

⚠ Caution Product may be damaged, or injury may result if instructions are not followed.

※The following is an explanation of the symbols used in the operation manual.

⚠ caution:Injury or danger may occur under special conditions.

⚠ Warning

- 1. In case of using this unit with machinerles(Nuclear power control, medical equipment, vehicle, train, airplane, combustion apparatus, entertainment or safety device etc), It requires installing fail-safe device, or contact us for information required.**
It may result in serious damage, fire or human injury
- 2. This unit must be mounted on panel.**
It may give an electric shock.
- 3. Do not connect terminals when it is power on.**
It may give an electric shock.
- 4. Do not disassemble and modify this unit, when it requires.**
If needs, please contact us.
It may give an electric shock and cause a fire.

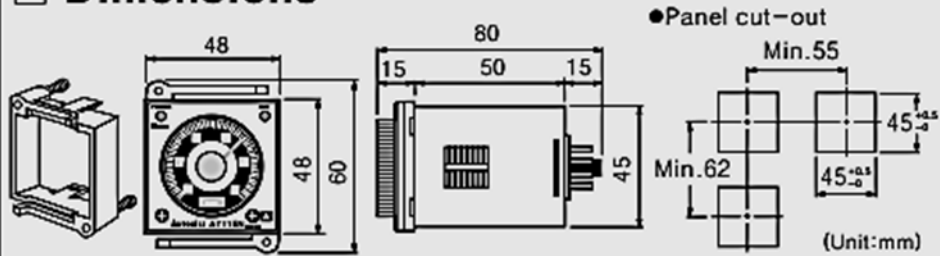
⚠ Caution

- 1. This equipment shall not be used outdoors.**
It might shorten the life cycle of the product or give an electric shock.
- 2. Please observe specification rating.**
It might shorten the life cycle of the product and cause a fire.
- 3. Do not use the load beyond rated switching capacity of Relay contact.**
It may cause insulation failure, contact melt, contact failure, relay broken fire etc.
- 3. In cleaning the unit, do not use water or an organic solvents.**
It might cause an electric shock or fire that will result in damage to the product.
- 4. Do not use this unit at place where there are flammable or explosive gas, humidity, direct ray of the sun, radiant heat, vibration, impact etc.**
It may cause a fire or mechanical trouble.
- 5. Do not inflow dust or wire dregs into inside of this unit.**
It may cause a fire or mechanical trouble.

Ordering information

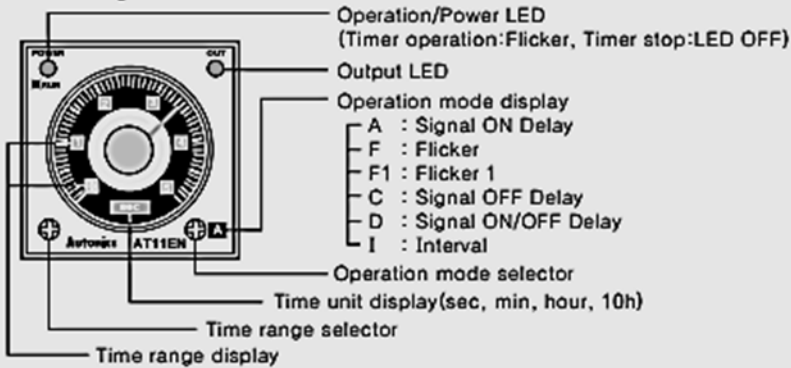
AT	11	DN	DN	Time limit 2c
			EN	Time limit 1c, Instantaneous contact 1c
			11	11 Pin Socket Type(PG-11, PS-11)
			AT	Series name:Analog Timer

Dimensions



※ The above specification are changeable without notice anytime.


Front panel identification



Time specifications

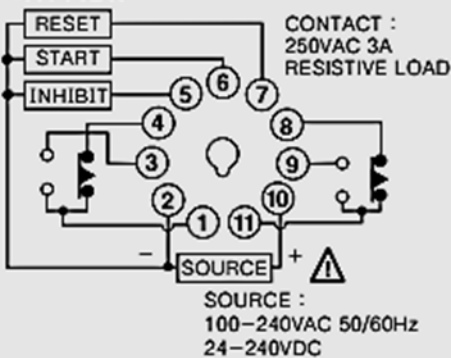
Time range	Time unit	Time setting range
0.5	sec	0.05 to 0.5
1.0		0.1 to 1.0
5		0.5 to 5
10		1 to 10
0.5	min	0.05 to 0.5
1.0		0.1 to 1.0
5		0.5 to 5
10		1 to 10
0.5	hour	0.05 to 0.5
1.0		0.1 to 1.0
5		0.5 to 5
10		1 to 10
0.5	10h	0.05 to 0.5
1.0		0.1 to 1.0
5		0.5 to 5
10		1 to 10

Specifications

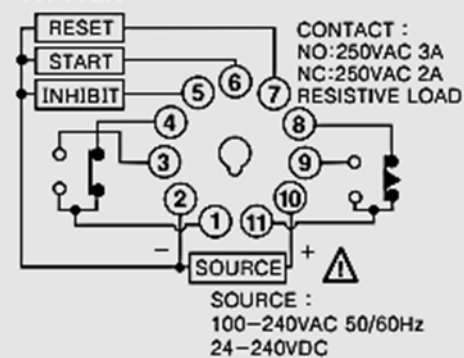
Model	AT11DN		AT11EN	
Control time setting range	0.05sec to 100hour(Max. time)			
Power supply	• 100–240VAC(50/60Hz), 24–240VDC • 12VDC(Option)			
Allowable voltage range	90 to 110% of rated voltage			
Power consumption	• 100–240VAC : Approx. 4VA, 24–240VDC : Approx. 1.3W • 12VDC : Approx. 0.9W		• 100–240VAC : Approx. 4.5VA, 24–240VDC : Approx. 1.5W • 12VDC : Approx. 0.6W	
Return time	Max. 100ms			
Min. input signal width	START input	50ms		
	RESET input			
	INHIBIT input			
Input	START input	[No–voltage input] Shot–circuit impedance : Max. 1k Ω Residual voltage : Max. 0.5V Open–circuit impedance : Min. 100k Ω		
	RESET input			
	INHIBIT input			
Control output	Con-tact	Type	Time limit 2c	Time limit 1c, Instantaneous contact 1c
		Capacity	250VAC 3A resistive load	NO:250VAC 3A resistive load NC:250VAC 2A resistive load
Repeat error	Max. $\pm 0.3\%$			
Setting error	Max. $\pm 5\% \pm 0.05\text{sec}$			
Voltage error	Max. $\pm 0.5\%$			
Temperature error	Max. $\pm 2\%$			
Insulation resistance	Min. 100M Ω (500VDC mega between all terminals and case)			
Dielectric strength	2000VAC 50/60Hz for 1 minute(Between all terminals and case)			
Noise strength	$\pm 2\text{kV}$ the square wave noise(pulse width:1 μs) by the noise simulator			
Vibration	Mechanical	0.75mm amplitude at frequency of 10 to 55Hz in each of X, Y, Z directions for 1 hours		
	Malfunction	0.5mm amplitude at frequency of 10 to 55Hz in each of X, Y, Z directions for 10 minutes		
Shock	Mechanical	300m/s ² (Approx. 30G) 3 times at X, Y, Z direction		
	Malfunction	100m/s ² (Approx. 10G) 3 times at X, Y, Z direction		
Relay life cycle	Mechanical	Min.10,000,000 times		
	Electrical	Min.100,000 times (250VAC 3A at resistive load)	Min.100,000 times (NO:250VAC 3A at resistive load, NC:250VAC 2A at resistive load)	
Ambient temperature	–10 to 55 $^{\circ}\text{C}$ (at non–freezing status)			
Storage temperature	–25 to 65 $^{\circ}\text{C}$ (at non–freezing status)			
Ambient humidity	35 to 85%RH			
Weight	Approx. 100g			
Approval				

Connections

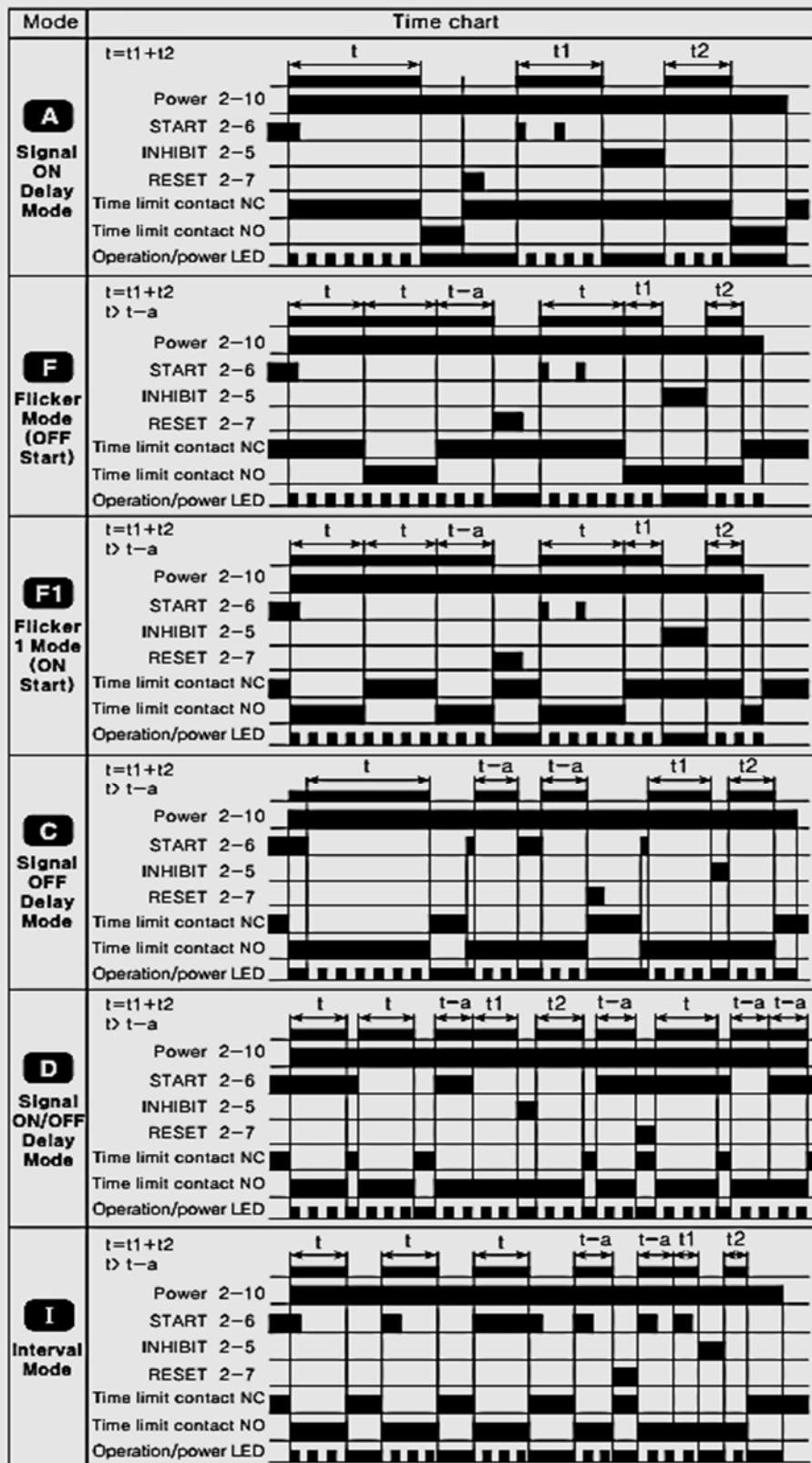
•AT11DN



•AT11EN



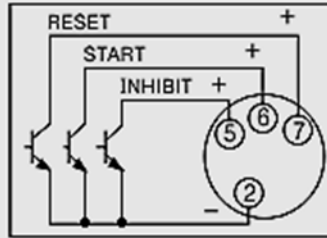
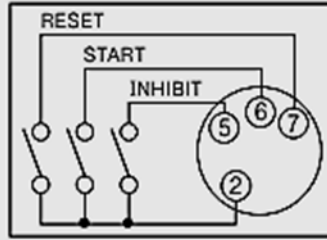
Output operation mode



- Note) 1. If the power supply is off or the terminals ② and ⑦ are short-circuited (RESET signal is ON), the time progressing will be reset.
 2. While the terminals ② and ⑤ short-circuited (INHIBIT signal input is ON) during the time progressing, the time progressing will be stopped. The time progressing is continued when the terminals ② and ⑤ are open-circuited (INHIBIT signal input is OFF).
 3. Please set the min. setting time for 100ms or more at F and F1 output mode operation. When the min. setting time is less than 100ms, it might not be operation normally due to relay contact reaction time.

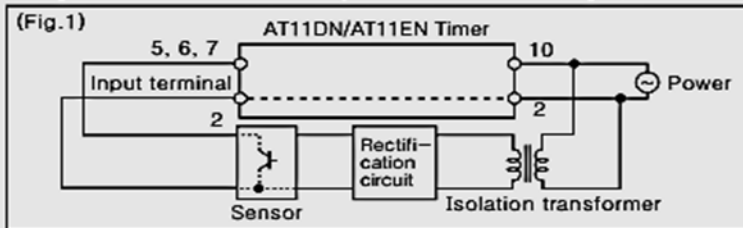
■ Input signal condition

1. Relay contact input :
Please use gold-plated switches with good contact assurance and short bounding time for contact input.
2. NPN open collector transistor input :
The characteristic of transistor shall be :
Vceo : Min. 25V
Ic : Min. 10mA
Icbo : Max. 0.2 μ A.
Residual voltage : Max. 0.5V
3. Please maintain 50ms for signal width of relay contact and solid state input (START, RESET, INHIBIT)

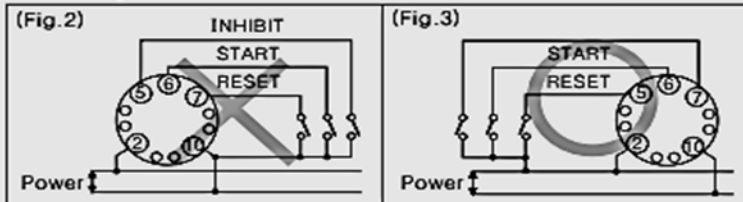


■ Caution for using

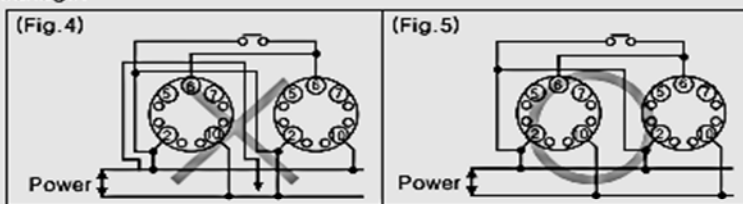
1. AT11DN/AT11EN are designed as power circuit without using a transformer. Therefore the power of sensor is supplied by isolation transformer which is not grounded in the secondary side as shown in (Fig.1).



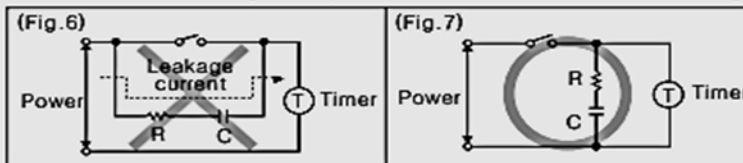
2. Please use the terminal ② as the common terminal as shown in (Fig.3). If use the terminal ⑩ as common terminal as shown in (Fig.2), it might cause damage to inner circuit of AT11DN/AT11EN Timer.



3. When one input signal is inputted to plural timers, be sure to avoid the wiring as shown in (Fig.4). Otherwise, the short-circuit current will flow to cause breakage.



4. Please connect DC power input after checking polarity of power.
5. When apply the power, please apply rating power at the moment by switch, relay etc. Otherwise it might cause malfunction.
6. Do not use this product for long time. It may cause shorten life cycle of Timer due to heat inner electric component.
7. When supply the power to the timer, connection as shown in (Fig.6). It might cause malfunction due to leakage current though R and C. Please connect R and C as shown in (Fig.7) to prevent malfunction as shown in (Fig.7).



8. Do not wire START, RESET, INHIBIT signal input line with power line, high voltage line in parallel.
9. It might cause malfunction if change the setting time, time range or operation mode during unit operating. Please change the setting time, time range or operation mode after cut the power off.
10. When test dielectric voltage and insulation resistance of the control panel with this unit installed.
 - ① Please isolate this unit from the circuit of control panel.
 - ② Please make all terminals of this unit short-circuited.
11. Do not use this unit at below places.
 - ① Place where there are severe vibration or impact.
 - ② Place where strong alkalis or acids are used.
 - ③ Place where there are direct ray of the sun
 - ④ Place where strong magnetic field or electric noise are generated.
12. Installation environment
 - ① It shall be used indoor
 - ② Altitude Max. 2000m
 - ③ Pollution Degree 2
 - ④ Installation Category II

※ It may cause malfunction if above instructions are not followed.