

# wall mounting socket outlet - housing dimensions 126x83

## Product description

Order number	11949
EAN/pcs	4024941119498
Product Group	Wall mounting socket outlet Quick-Connect
Amperage	32A
Poles	3p (2P+PE)
Earth 'Clock' Position	6 h
Voltage	200 up to 250V
Frequency	50 and 60Hz
Protection	IP44
Color code	blue RAL 5015
Connection Design	screwless spring terminals as cage clamp with Kontext-contact
Max. conductor	10,0 mm <sup>2</sup>

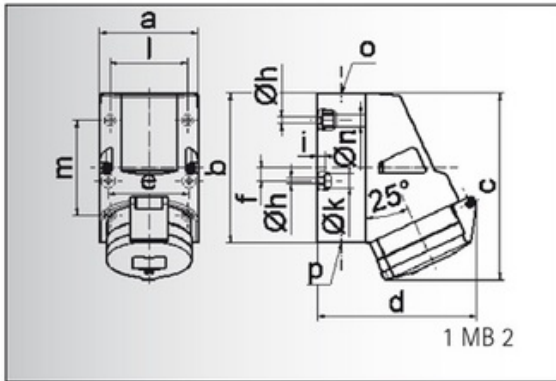


## Further Information

Cable entry	M25
Packaging	126x83 mm (HxW)
Additional technical information	The cable entry is one at top open and two at bottom closed Lower part of housing rotatable by 180° 4 cut out fixing holes in the lower part of housing

**Material**

Material of Enclosure	Polyamide
Contact / Contact Carrier	contact carrier made of polyamide, the contacts are brass
Weight/pcs	0.355 kg
Packaging unit	10 pcs



Ampere	16	16	32	32	32
Polzahl	4	5	3	4	5
a	83,0	83,0	83,0	83,0	83,0
b	126,0	126,0	126,0	126,0	126,0
c	153,0	155,0	155,0	155,0	155,0
d	127,0	130,0	130,0	130,0	136,0
e	68,0	68,0	68,0	68,0	68,0
f	11,0	11,0	11,0	11,0	11,0
h ø	5,5	5,5	5,5	5,5	5,5
i	6,5	6,5	6,5	6,5	6,5
k ø	12,0	12,0	12,0	12,0	12,0
l	65,0	65,0	65,0	65,0	65,0
m	80,0	80,0	80,0	80,0	80,0
n ø	10,0	10,0	10,0	10,0	10,0
o	M 25	M 25	M 25	M 25	M 25
p	2 x M 25	2 x M 25	2 x M 25	2 x M 25	2 x M 25
Leiter mm² min	1,5	1,5	2,5	2,5	2,5
Leiter mm² max	4	4	10	10	10