

wall mounting socket outlet - with external fixing

Product description

Order number	11645
EAN/pcs	4024941116459
Product Group	GT wall mounting socket outlet
Amperage	16A
Poles	4p (3P+PE)
Earth 'Clock' Position	6 h
Voltage	380 up to 415V
Frequency	50 and 60Hz
Protection	IP44
Color code	red RAL 3000
Connection Design	screw terminal
Max. conductor	4,0 mm ²

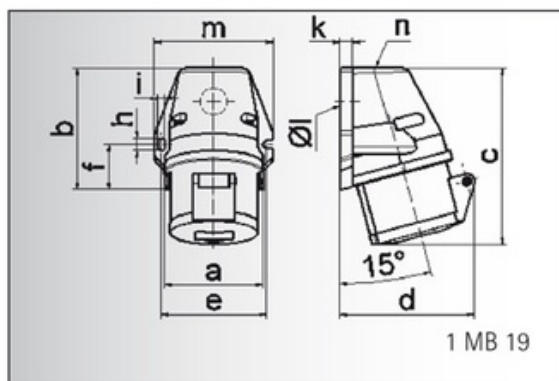


Further Information

Cable entry	top entry M25
Packaging	90x87 mm (HxW)
Additional technical information	The cable entry is one at top open and one at bottom closed

Material

Material of Enclosure	Polyamide
Contact / Contact Carrier	contact carrier made of polyamide, the contacts are brass
Weight/pcs	0.220 kg
Packaging unit	10 pcs



Ampere	16	16	16	32	32	32
Polzahl	3	4	5	3	4	5
a	59,5	72,4	72,4	79,1	79,1	79,1
b	90,0	90,0	90,0	92,0	92,0	92,0
c	130,0	130,0	131,0	142,0	142,0	142,0
d	85,0	96,0	98,0	103,0	103,0	106,0
e	62,0	77,0	77,0	84,0	84,0	84,0
f	33,5	33,5	33,5	30,0	30,0	30,0
h	9,0	9,0	9,0	9,0	9,0	9,0
i	5,5	5,5	5,5	5,5	5,5	5,5
k	8,0	9,0	9,0	9,0	9,0	9,0
l ø	21,0	21,0	21,0	21,0	21,0	21,0
m	72,0	87,0	87,0	94,0	94,0	94,0
n	M 20	M 25	M 25	M 25	M 25	M 25
Leiter mm ² min	1,5	1,5	1,5	2,5	2,5	2,5
Leiter mm ² max	4	4	4	10	10	10