

wall mounting socket outlet - housing dimensions 87x64

Product description

Order number	11930
EAN/pcs	4024941119306
Product Group	Wall mounting socket outlet Quick-Connect
Amperage	16A
Poles	3p (2P+PE)
Earth 'Clock' Position	6 h
Voltage	200 up to 250V
Frequency	50 and 60Hz
Protection	IP44
Color code	blue RAL 5015
Connection Design	screwless spring terminals as cage clamp with Kontext-contact
Max. conductor	4,0 mm ²

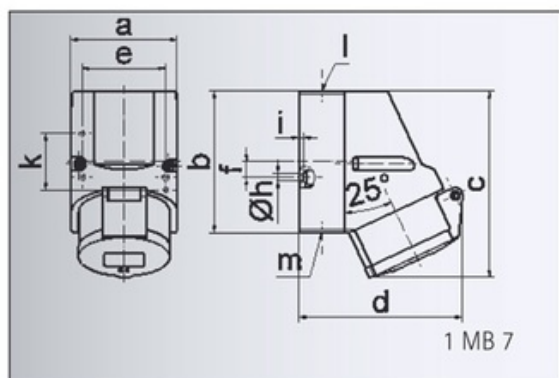


Further Information

Cable entry	top entry M20
Packaging	87x64 mm (HxW)
Additional technical information	The cable entry is one at top open and one at bottom and one rear side closed Lower part of housing rotatable by 180°

Material

Material of Enclosure	Polyamide
Contact / Contact Carrier	contact carrier made of polyamide, the contacts are brass
Weight/pcs	0.185 kg
Packaging unit	10 pcs



Ampere	16	16	16
Polzahl	3	4	5
a	64,0	75,0	75,0
b	87,0	100,0	100,0
c	117,0	129,0	131,0
d	103,0	108,0	116,0
e	51,0	59,0	59,0
f	-	11,0	11,0
h ø	4,1	5,1	5,1
i	4,5	4,5	4,5
k	40,0	-	-
l	M 20	M 20	M 20
m	für M 20	für M 20	für M 20
Leiter mm² min	1,5	1,5	1,5
Leiter mm² max	4	4	4